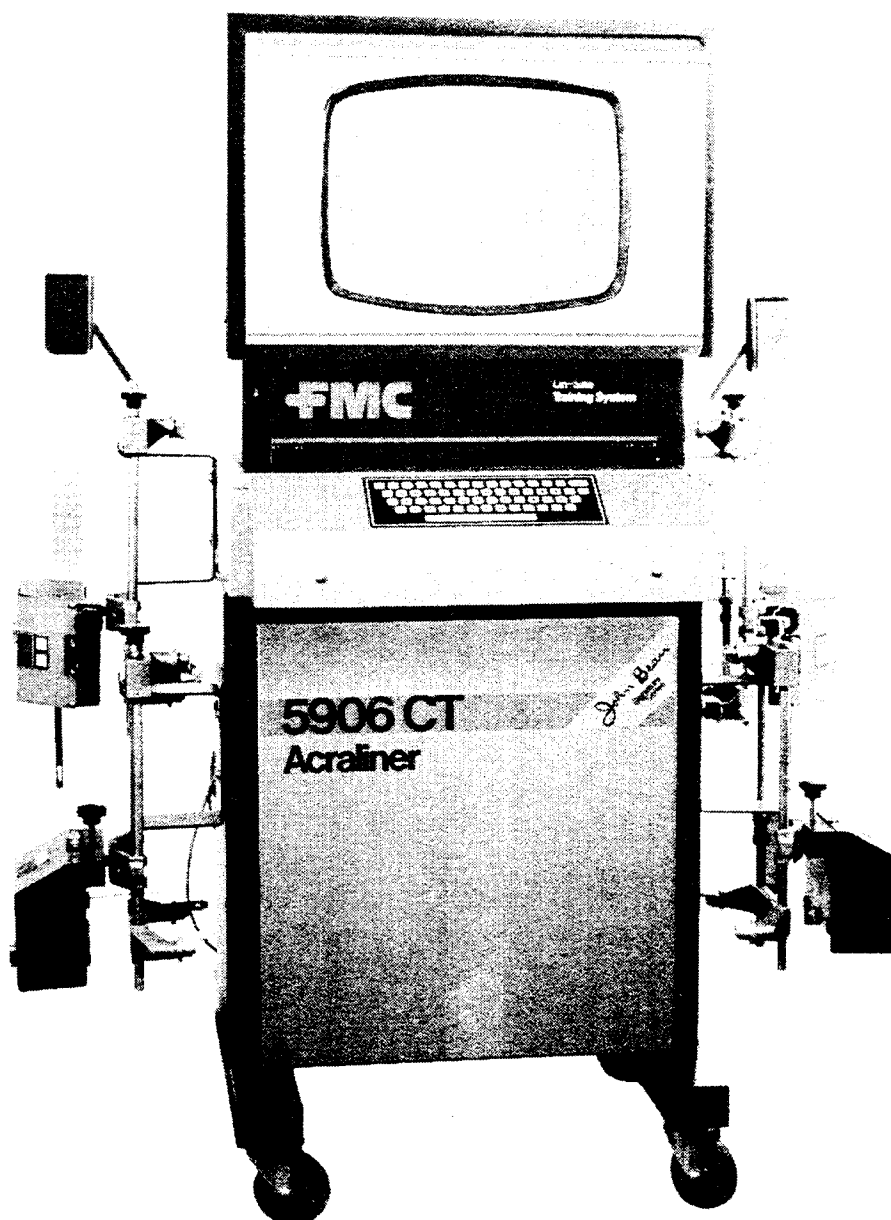
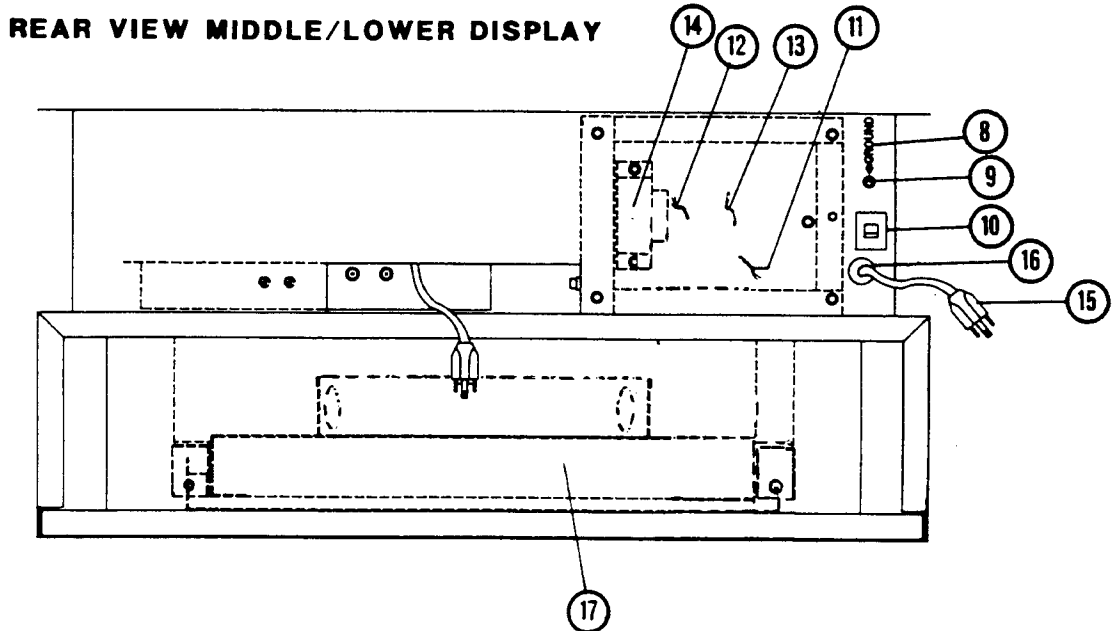
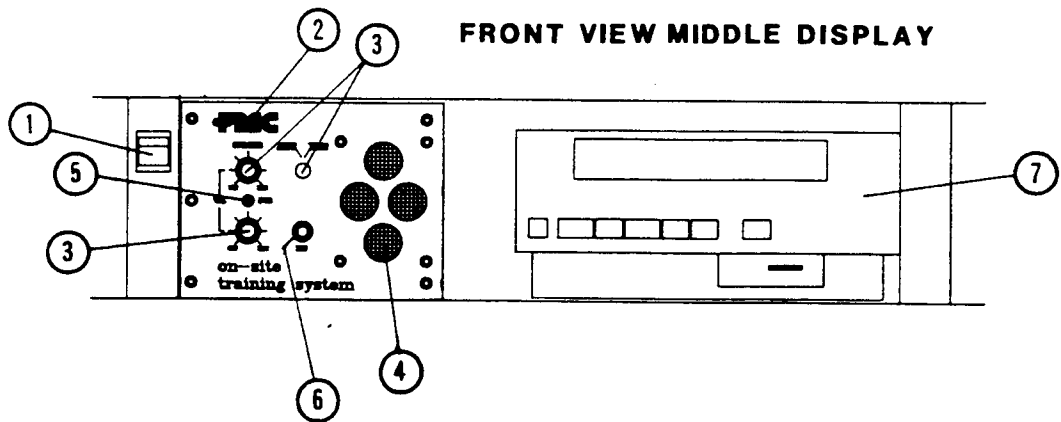


PARTS REFERENCE MANUAL

5900 Series Acraliner

Form Number 4767-4



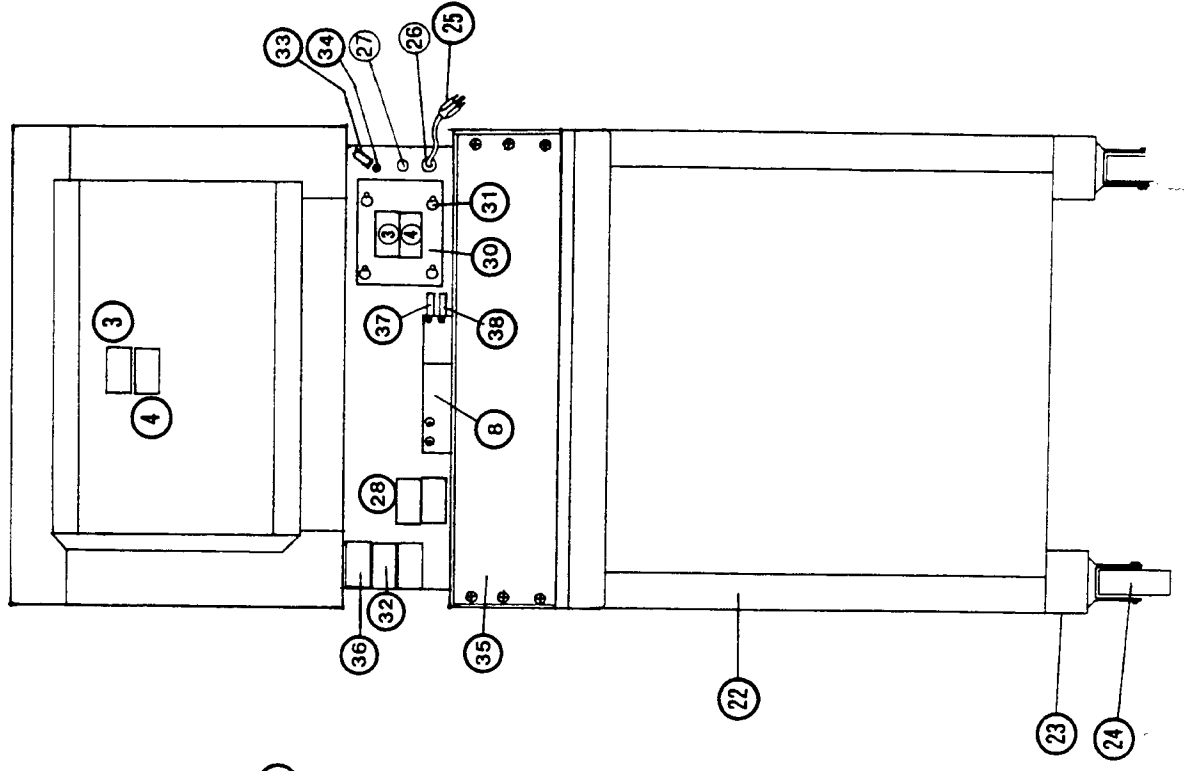
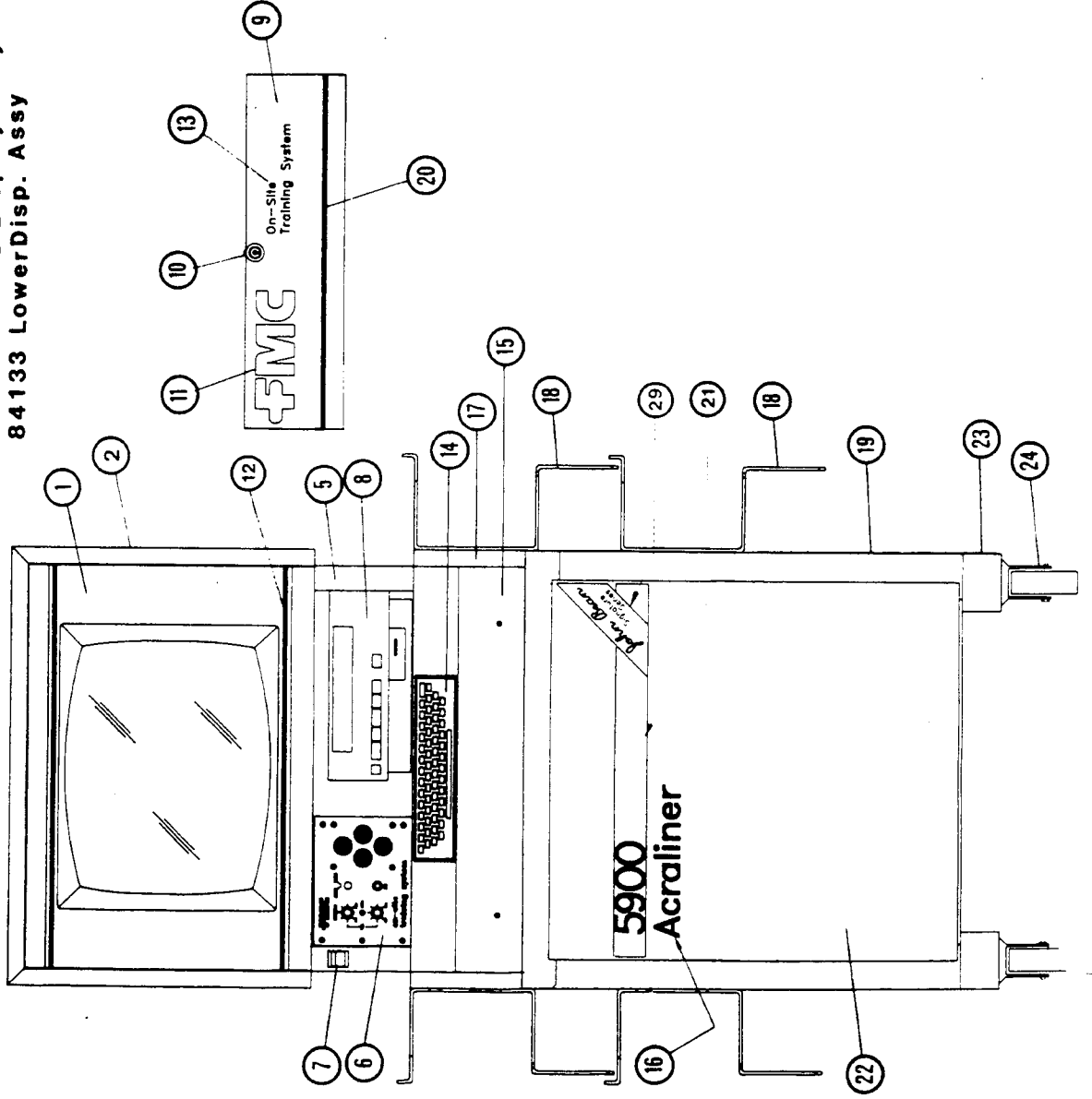


ITEM NO	PART NO	DESCRIPTION	ITEM NO	PART NO	DESCRIPTION
1	83048	ON/OFF Switch w/Clip	*	84005	Printer Shelf Support
2	84530	Front Plate, VCP w/Silk Screening	*	1181298	KEPS Nut #8-32
3	84087	Control Knob	*	1187293	Flat Washer #8
4	84172	Speaker Grill	*	83229	Drawer Slide
*	84175	Speaker	*	1101740	Screw BHM #6-32x1/4"
5	84171	LED Holder	*	1101760	KEPS Nut #6-32
6	84173	Mike Input Receptacle	*	1187287	Flat Washer #6
7	83338	VCP	*	82322	Magnet Plate
8	60852	"Ground" Label	*	82122	Magnetic Catch
9	83558	Special GND Screw	*	1101883	Self-tap Screw HHW #8-32x3/8"
10	82328	Circuit Breaker, 3 Amp.	*	1187293	Flat Washer 3/8"
11	83085	Dual 115V Receptacle	*	1181298	KEPS Nut #8-32
12	83377	"VCP" Label	*	84163	Tie Wrap
13	83122	"Printer" Label	*	84149	Flat Cable Clip
14	83573	VCP Transformer	*	84150	Cable Clip
15	83019	Power Supply Cord	*	84156	Harness Wrap
16	35148	ROMEX Strain Relief	*	985271	Strip Seal 1/4x1"
17	84528	Keyboard Shelf Panel Weldment	*	84549	Printer Cord Guard Plate
*	84524	Slide Shelf Weldment	*	83616	Printer Cord Plate Grommet
			*	84540	Printer Slide Assy.
			*	84525	Printer Paper Tray

* NOT SHOWN

**CONSOLE/CABINET 84144
FRONT&BACK VIEWS**

- 84115 Upper Display Assy
- 84116 Lower Cabinet Assy
- 84120 Middle Display Assy
- 84133 LowerDisp. Assy



5900 FRONT AND REAR OF CONSOLE

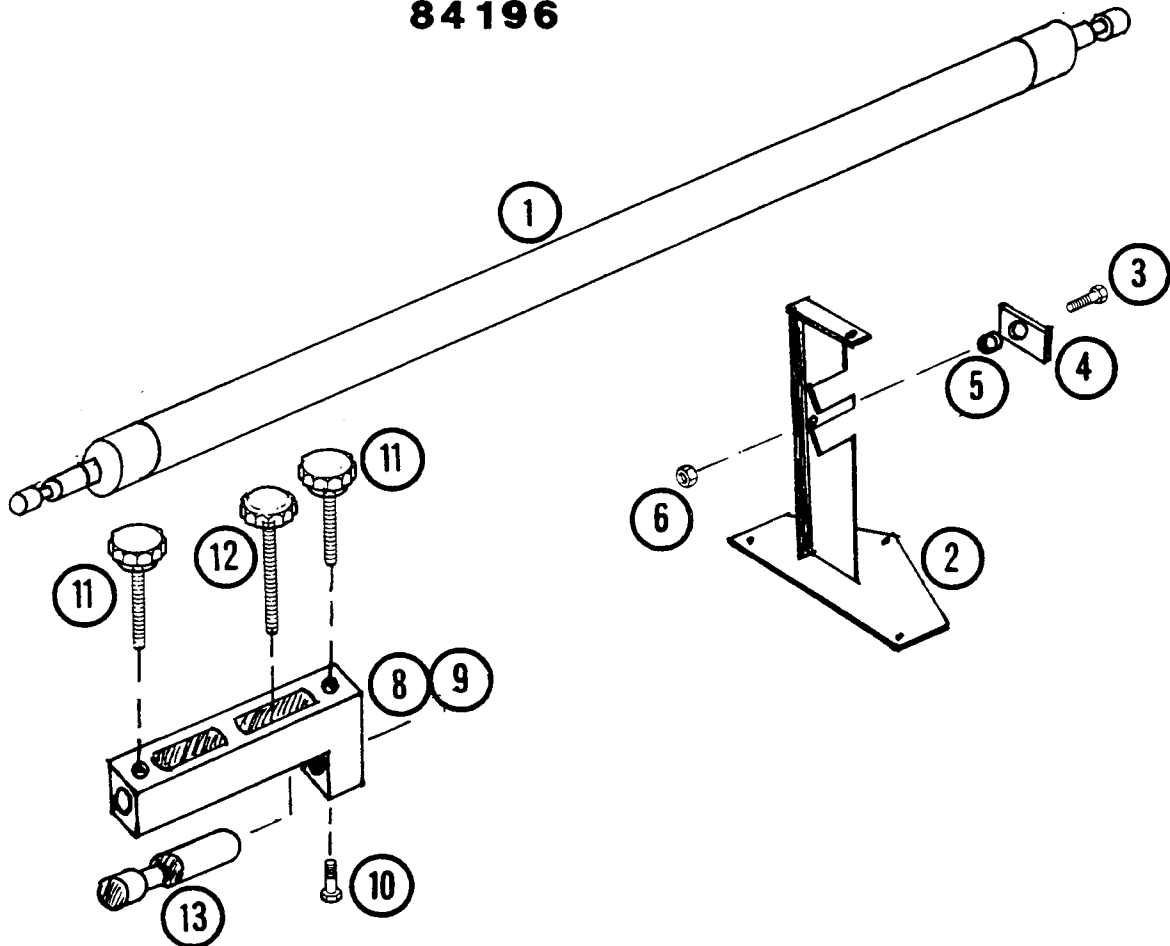
ITEM NO	PART NO	DESCRIPTION	ITEM NO	PART NO	DESCRIPTION
1	84017	Front Bezel Weldment		1101802	Captive Nut 1/4-20
*	1101802	Captive Nut 1/4-20	18	83044	Wheel Clamp Hanger Bracket
*	1101882	Screw PHR 1/4-20x1-1/2"	*	1111599	Screw HHCS 1/4-20x5/8"
*	63096	Rubber Trim Strip	*	1100241	Lockwasher 1/4"
*	985166	Seal strip 1/8x3/8"	*	1107381	Flat Washer 1/4"
*	84183	Caution Label	19	84024	Lower Cabinet Weldment
2	84534	Upper Display Weldment	*	1101802	Captive Nut 1/4-20(Wh Clamp Hangers)
3	80323	Caution Label	20	90409	Red Stripe
4	63889	Warning Label	21	84616	"5906CT" Stripe Decal
5	84517	Middle Display Riser	22	84090	Door Weldment
*	1111599	Screw HHCS 1/4-20x5/8"	*	63092	Magnetic Catch
*	1100241	Lockwasher 1/4"	*	63740	Hinge (2 ea.)
*	1107381	Flat Washer 1/4"	*	1101826	Screw PHM #8-32x1/2"
*	1101802	Captive Nut 1/4-20	*	1181298	KEPS Nut #8-32
6	84532	Audio Assembly (115V)	*	1187293	Flat Washer #8
*	1101883	Self-tap Screw HHW #8-32x3/8"	*	83657	Video Tape Case
	84087	Control Knob	*	1101883	Self-tap Screw #8-32x3/8"
7	83048	ON/OFF Switch w/Clip	*	1181298	KEPS Nut #8-32
8	83338	Video Cassette Player (VCP)	*	84269	Hook Bracket
9	84178	Door Assembly	*	1101883	Self-tap Screw #8-32x3/8"
	84025	Door	23	83039	Caster Beam
	84399	Door Chain	*	1100044	Screw HHCS 5/16-20x3/4"
*	1101888	Screw PHM #4-40x3/8"	*	1100242	Lockwasher 5/16"
*	1101606	Int. Tooth Lockwasher #4	*	1107382	Flat Washer 5/16"
*	1109762	Hex Nut #4-40	24	63590	Caster (4 ea.)
	84158	LH Hinge Pin	*	1100805	Screw HHCS 1/4-20x3/4"
	84159	RH Hinge Pin	*	1100241	Lockwasher 1/4"
*	84091	Door Latch Bracket	*	1107381	Flat Washer 1/4"
	1101883	Self-tap Screw HHW #8-32x3/8"	*	1101800	Hex Nut 1/4-20
	84070	Snap Cap Washer	25	83019	Power Supply Cord
	84071	Black Snap Cap	26	35148	ROMEX Strain Relief 1/2" I.D.
	1187293	#8 Flat Washer	27	82328	3.0 Amp Circuit Breaker
	1181298	#8-32 KEPS Nut	28	83586	Patent Nos. Label
10	84157	Key Latch	29	84612	"JOHN BEAN" Stripe Decal
11	59085	"FMC" Decal. Red 2"x6"	30	84511	Rear Service Panel
12	84622	Red Stripes - Front Bezel	31	1101883	Self-tap Screw HHW #8-32x3/8"
13	84131	"ON-SITE Training System" Decal	32	90248	Eng. & Fr. Caution Label
14	83126	Control Panel	33	83558	Special Ground Screw
15	84528	Keyboard Shelf Panel Weldment	*	1181298	KEPS Nut #8-32
	1101883	Self-tap Screw HHW #8-32x3/8"	*	1101583	Ext. Tooth Lockwasher #8
	84069	Silver Snap Cap	*	83209	Ground Wire Assy.
16	84617	"ACRALINER" Decal	34	60852	Ground Label
17	84526	Lower Display Weldment	35	84513	Rear Cover Panel
	84527	Lower Display Shelf Weldment	36	80322	Warning Label
	1100805	Screw HHCS 1/4-20x3/4"	37	83376	Video/Input Label
	1100241	Lockwasher 1/4"	38	84124	Audio/Input Label
	1107381	Flat Washer 1/4"	*	1228668	ROMEX Strain Relief 7/8"
			*	83055	Printer Interface Cable
			*	84123	Video Cable Assy.

* NOT SHOWN

Rev. 3/7/90

59001PAR.WRK

CALIBRATION KIT 84196



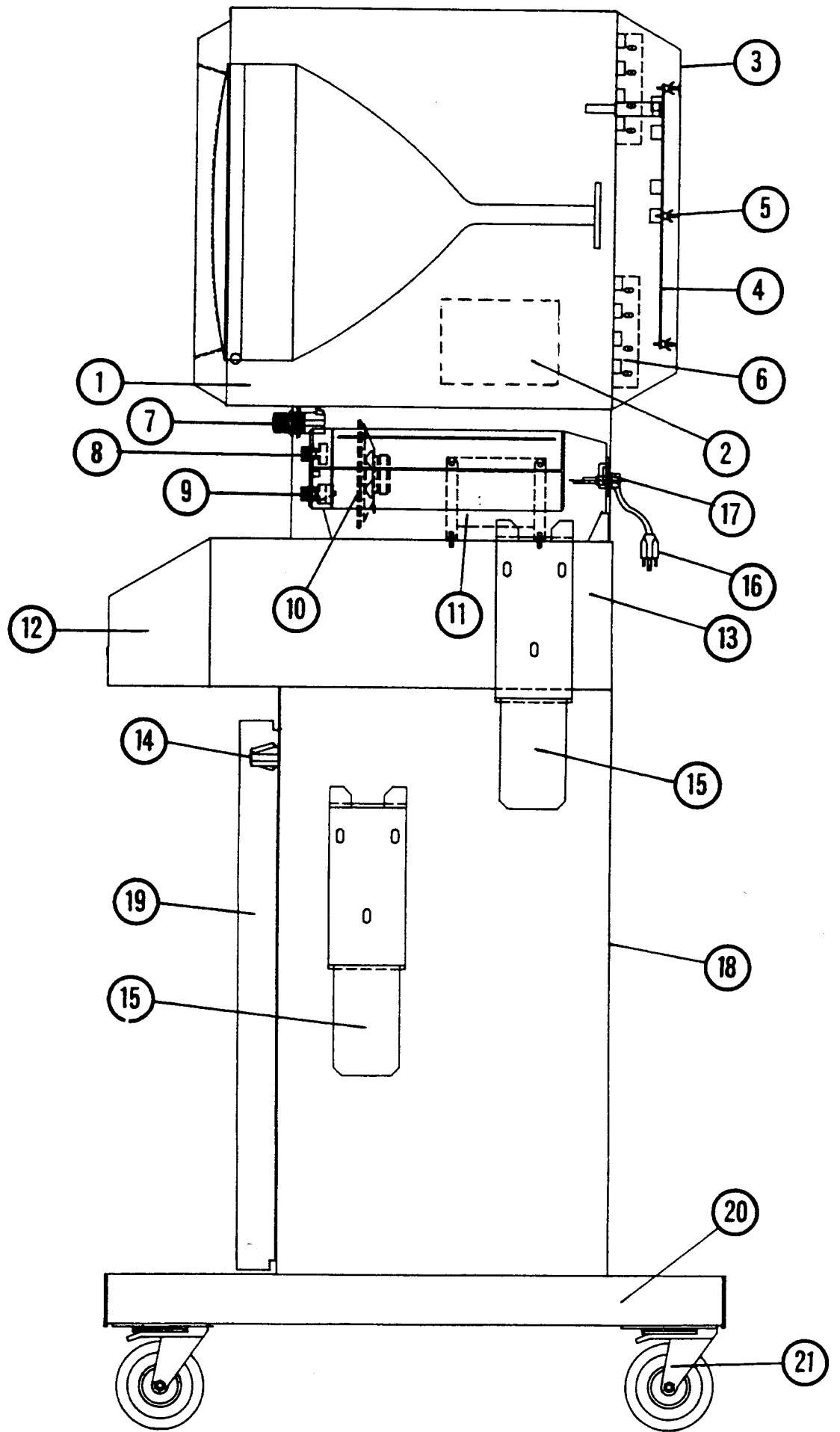
5900/9900 CALIBRATION KIT P/N 84196

REF	PART NO	DESCRIPTION
1	84199	Calibration Bar Assy.
2	84102	Calibration Stand Weldment
3	1101620	Shoulder Screw
4	63388	Pointer
5	59778	Check Stand Spacer
6	1182563	Hex Nut 5/16-18
8	84281	Track Toe Calibration Fixture Assy.
9	83471	Track Toe Machined Fixture
10	1110770	Setscrew 1/4-20x3/8"
11	83258	Clamp Knob Screw Assy.
12	83259	Clamp Knob Screw Assy.
13	84630	Head/Fixture Stub Shaft
*	84626	Stub Shaft Collar(FST Cal.)
*	1112813	Cone Pt. Setscrew #6-32x1/8"
*	1101729	Retaining Ring

* NOT SHOWN

990931PR.WRK Revised 3/7/90

84101

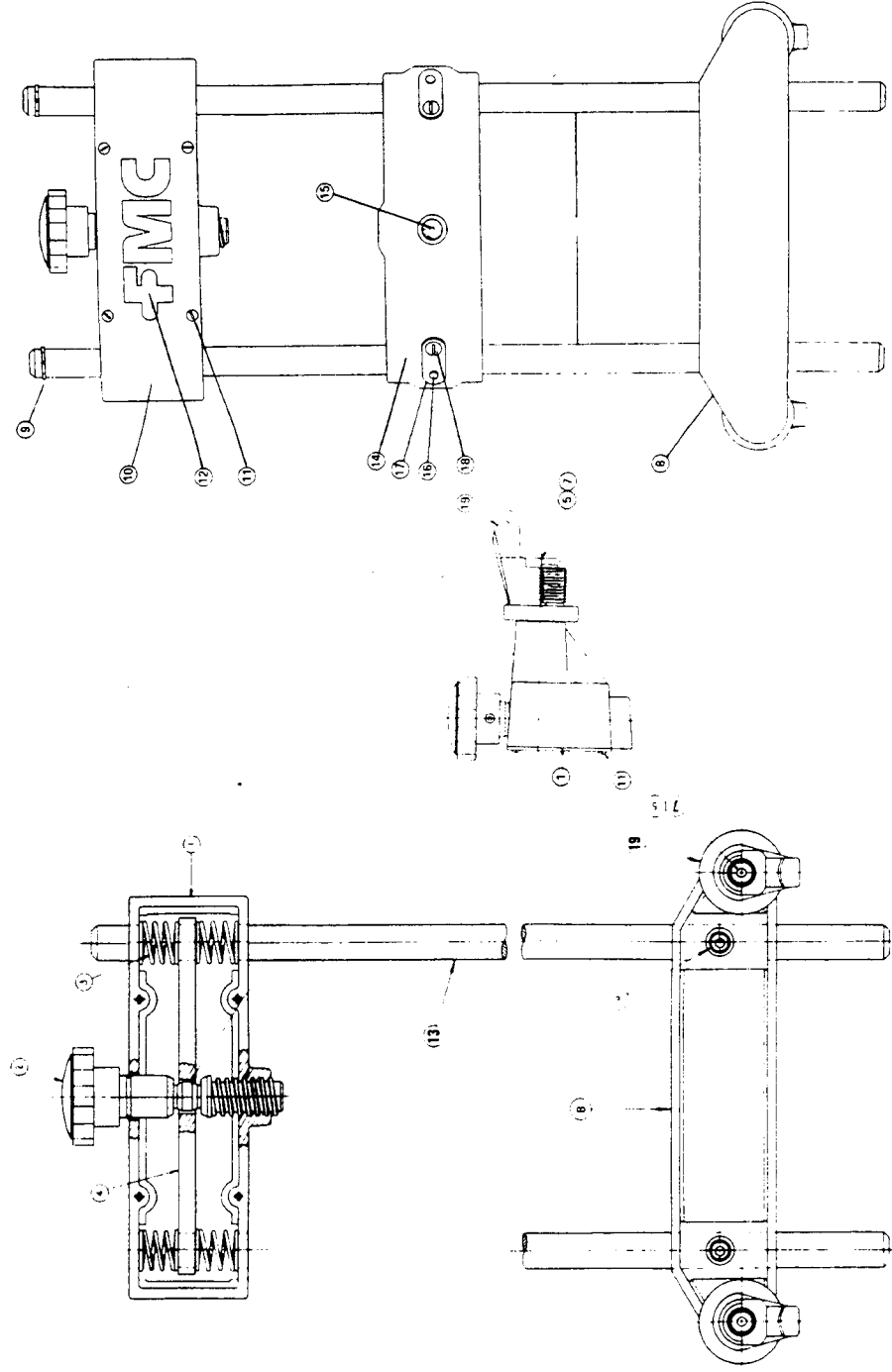


CONSOLE/CABINET END VIEW 84144

Ref No	Part No	Description	Ref No	Part No	Description
1	83524	Color CRT with Composite PCB	*	84150	Cable Clip
	83522	Color CRT 19" (Wells-Gardner)	*	84163	Tie Wrap
2	83523	Composite Video PCB Assy.	*	84128	Cable Assy - Keyboard/CPU
*	1100805	Screw HHCS 1/4-20x3/4"	13	84526	Lower Display Weldment
*	1100241	Lockwasher 1/4"	14	63092	Magnetic Catch
*	1107381	Flat Washer 1/4"	15	83044	Wheel Clamp Bracket
*	1101802	Captive Nut 1/4-20	16	83019	Power Supply Cord
*	84169	Ground Wire Assy.	17	35148	Romex Strain Relief
*	83110	Transformer/CRT Cable Assy.	18	84124	Lower Cabinet Weldment
*	83187	CRT Warning Label	19	84090	Door Weldment
*	83558	Special GND Screw	20	83039	Caster Beam
*	60852	Ground Screw Label	21	63590	Caster
3	84521	Upper Display Rear Door	*	84121	Video & Audio Cable
	1187293	#8 Flat Washer	*	84167	Audio Transformer Cable Assy.
4	84571	Computer PCB Assembly	*	60897	Terminal (Audio Xfmr Leads)
*	84659	Veh. Specs. USA '90 Update Kit	*	83128	Terminal Block
*	84541	Veh. Specs. PCB Assy.(USA 77-89)	*	83149	Jumper
*	84223	Veh. Specs. PCB Assy.(USA 77-88)	*	1101884	Self-tap Screw HHW #8-32x3/4"
*	84578	Veh. Specs. PCB Assy.(EURO 89)	*	83111	Term Blk/Xfmr Cable Assy.
*	84393	Veh. Specs. PCB Assy.(EURO 88)	*	84129	Switch/Term. Blk. Cable Assy.
*	84756	Truck Specs. USA '90 Update Kit	*	83392	Receptacle/Term. Blk. Cable Assy.
*	74105	1.0 Amp Fuse (F1, F2)	*	90248	Caution Label, English/French
*	74110	2.0 Amp Fuse (F2)	*	80322	Warning Label
5	84160	Plastic Standoff - CPU	*	83586	Patent Nos. Label
6	63740	Continuous Hinge	*	83122	Printer Receptacle Label
*	1101883	Self-tap Screw HHW #8-32x3/8"	*	83377	VCP Label
7	84157	Key Latch	*	83376	Video IN Label
8	84384	ALIGN/VIDEO Switch/Harness Assy.	*	84124	Audio IN Label
*	60585	Connector, 8-pin	*	83188	Varistor Assy. - 115V
*	70669	Connector, 6-pin	*	60708	CRT Connector, 2-pin
*	80125	Crimp Terminal	*	84168	Primary Power Wire Assy.
*	80015	Shielded Cable, 9-conductor	*	84123	Video Cable Assy.
*	83337	Rotary Switch, 5-pole, 2-pos.	*	63360	3/8" Hole Plug (Cab. Top)
9	84087	Control Knob (3 ea.)	*	63889	Power Disconnect Warning Label
10	84175	Speaker	*	80323	Caution Label
11	83214	Transformer	*	985166	Seal Strip 1/8x3/8"
*	1101883	Self-tap Screw HHW #8-32x3/8"	*	82303	Cover Plate (Remote Blank)
*	61116	1/4" Flag Terminal	*	1101883	Self-tap Screw #8-32x3/8"
*	84130	Cable Assy. - Transformer/CPU	*	83416	Warranty Decal
12	84528	Keyboard Shelf Panel Weldment	*	83182	Split Grommet
*	1101883	Self-tap Screw HHW #8-32x3/8"	*	64383	Tie Wrap (printer cord & cables)
*	84069	Silver Snap Cap	*	84220	Head Cords Label Set (4 Hds.)
*	84070	Snap Cap - Washer	*	84479	Head Cords Label Set (2 Hds.)
*	1181298	#8-32 KEPS Nut	*	83055	Printer Interface Cable
*	1187293	#8 Flat Washer	*	84266	33' Head Interconnect Cable Assy (SVC)
*	84149	Flat Cable Clip	*	84434	65' Head Interconnect Cable Assy (SVC)
			*	1101883	Self-tap Screw HHW #8-32x3/8"
*	84593	Veh. Specs. Australia '89 Update Kit	*	83209	GND Wire Assy.

* NOT SHOWN 5900PRF2.WRK REV. 10/28/90

**WHEEL CLAMP
84143**

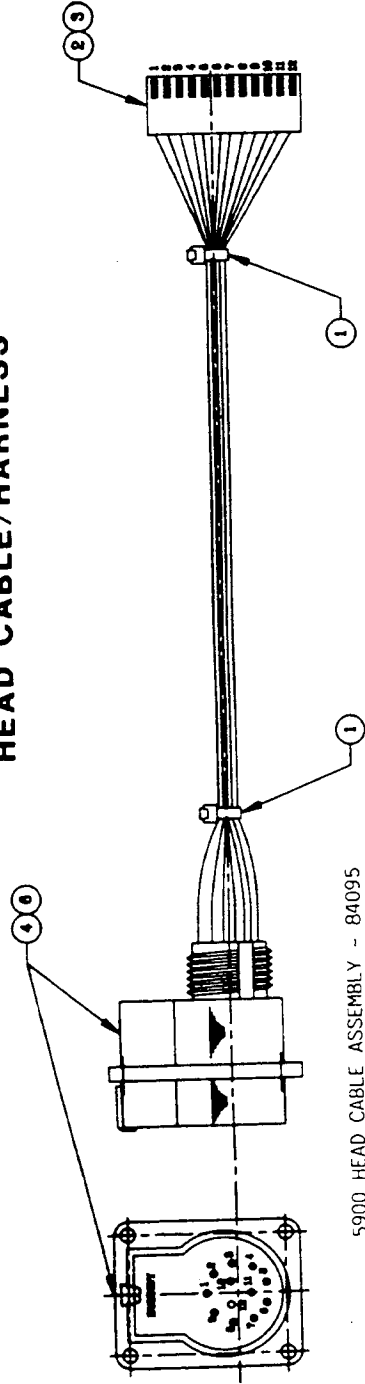


REF NO	PART NO	DESCRIPTION
1	83065	Upper Clamp Bracket
2	83097	Clamp Screw/Knob Assy.
3	57666	Spring
4	83067	Tightening Bar
5	1101829	Screw SHSS 5/16x1/4-20x1.0"
6	1185383	Screw SHCS 1/4-20unc X 1/2"
7	1101830	Curved Spring Washer 1/2x5/16"
8	83062	Lower Clamp Bracket
9	1101729	Retaining Ring
10	83068	Cover
11	1115690	Screw RIP #6-32x3/8"
12	83202	FMC® Decal
13	83063	Rod
14	83069	Sliding Bracket
15	84050	Shaft
16	1110771	• Setscrew 1/4-20x1/2"
17	63780	Friction Pin
18	58815	Friction Spring
19	1110677	Screw RHM #10-32x1/4"
19	83064	Grabber

• NOT SHOWN

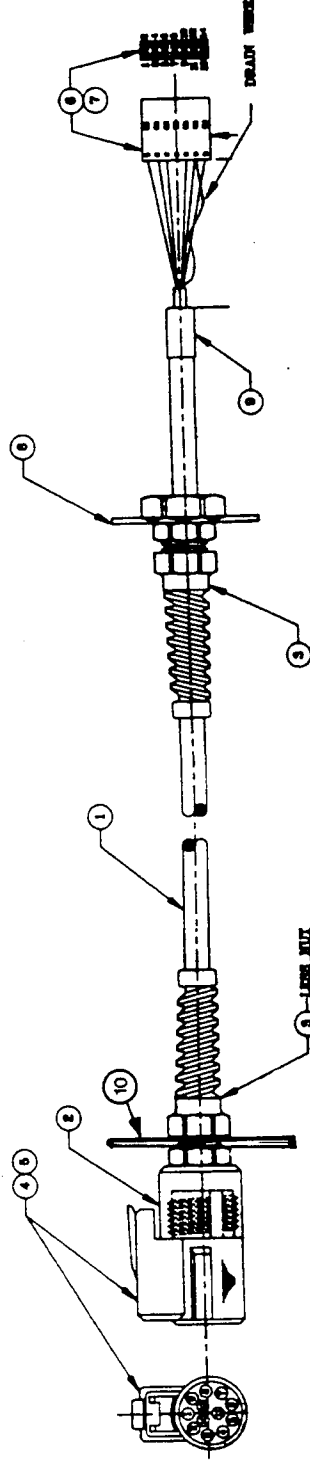
59005PAR.MK 3/7/90

HEAD CABLE/HARNESS



5900 HEAD CABLE ASSEMBLY - 84095

Item No	Part No	Description	Item No	Part No	Description
1	64383	Cable Tie	4	83195	Connector - Receptacle, 12 Pin
2	75061	Connector - 12 Pin	5	70876	Contact Pin
3	70588	Terminal Crimp			



5900 HEAD INTERCONNECT CABLE, 84266 - 33 FT. 84434 - 65 FT.

Item No	Part No	Description	Item No	Part No	Description
1	84094	Cable - 12 Conductor	6	75057	Connector - 14 Pin (dual row)
2	83319	Sleeve	7	75058	Crimp Terminal
3	81121	Flex Fitting	8	81122	Cover Plate
4	83194	Connector - Plug, 12 Pin	9	985067	Heat Shrink Tubing
5	70877	Contact - Socket	10	83668	Connector Protection Ring

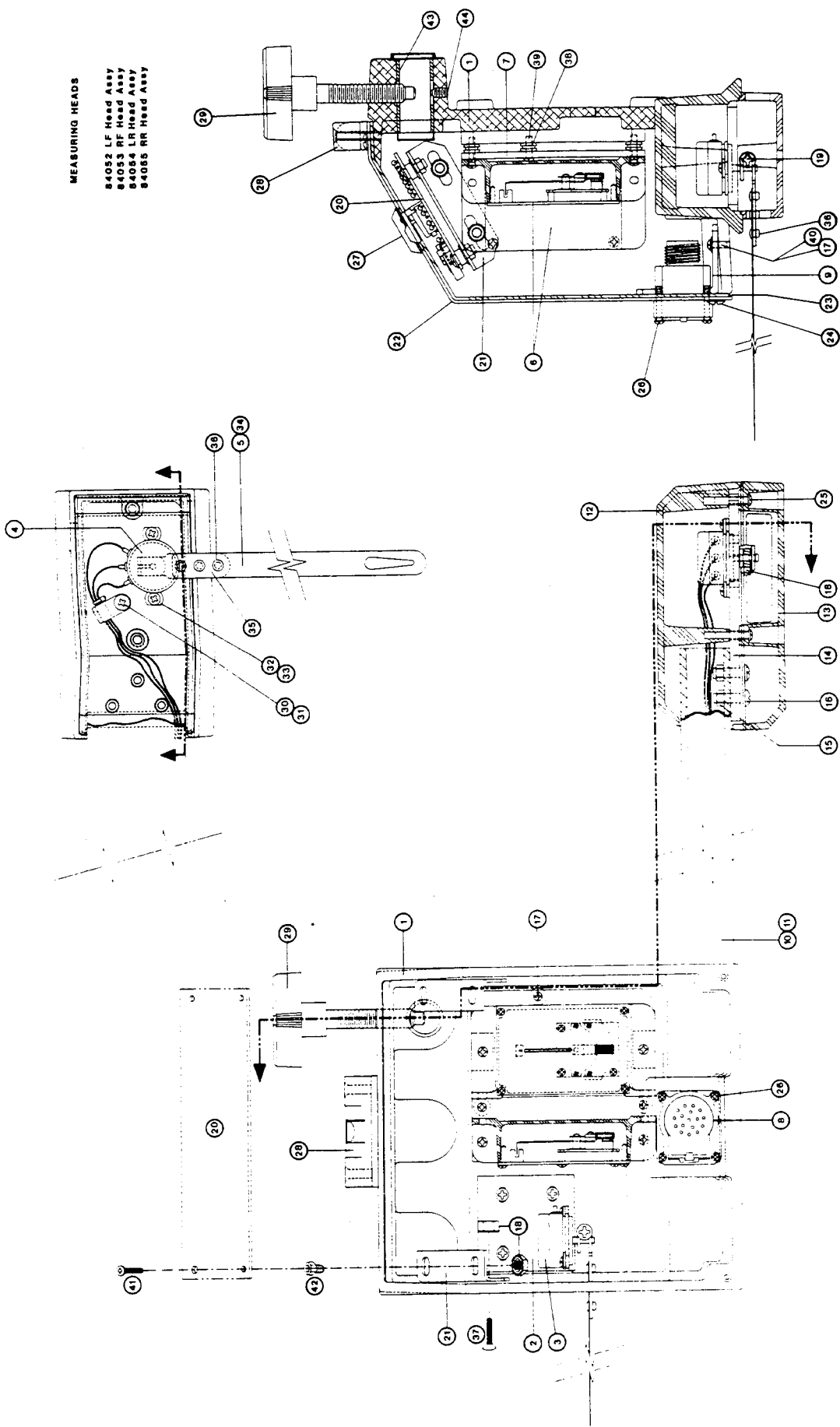
5900 MEASURING HEADS

Ref No	Part No	Description	Ref No	Part No	Description
1	84058	Left Front Housing & Bearing Assy.		84349	Toe PCB Board Assy. - Rear Heads
	84032	LF Head Housing	21	84076	Angle Bracket - All Heads
	84059	Right Front Housing & Bearing Assy.	22	84077	Head Cover - All Heads
	84031	RF Head Housing	*	985166	Seal Strip 1/8 x 3/8"
	84061	Left Rear Housing & Bearing Assy.	23	84145	Upper Head Gasket
	84033	LR Head Housing		84146	Lower Head Gasket
	84060	Right Rear Housing & Bearing Assy.	24	1101911	Truss Hd. Screw #8-32x3/8"
	84034	RR Head Housing	*	83676	Red Stripe Decal
2	84029	Pot Mounting Plate (LF & RR)	*	84073	RUNOUT & NEXT Decal
	84048	Pot Mounting Plate (RF & LR)	25	1115705	Screw PHPR #6-32x5/8"
3	84153	Front Track Toe Pot Assy.	26	1115607	Screw PHPRM #4-40x1/4"
	84154	Rear Track Toe Pot Assy.	27	84040	Switch Dome Cover
4	84152	Cross Toe Pot Assy.	28	84467	Level
5	84315	Arm Assembly	*	1116201	Screw, Oval Hd. #8-32x5/8"
6	83094	Inclinometer - All Positions	*	84468	Gasket
7	84346	Inclinometer Mounting Bracket	*	84044	Weights
8	83327	Receptacle Support	*	1115182	Screw PHPR #8-32x1-1/2"
9	83096	Cable Mounting Bracket	*	1187293	#8 Flat Washer
10	84056	LH Boom Tube Assembly	*	64383	Tie Wrap
	84057	RH Boom Tube Assembly	*	84050	Shaft (part of 84142)
*	84266	Head Interconnect Cable Assy. (SVC)	29	83258	Clamp Screw/Knob Assy.
*	84434	Head Interconnect Cable Assy. 65 ft.		83083	Shaft
*	84479	Head cords Label Set (2 head)		83084	Knob
*	84220	Head Cords Label Set (4 head)		1112969	Setscrew SH #10-32x5/8"
*	84547	Complete String Kit	30	1101795	3/16" Cable Clamp
*	84074	Cross Toe String Assembly	31	1101836	Screw PPH #8-32x1/4"
*	985312	White Toe Line	32	84064	Pot Mount Cleat
*	84075	Track Toe String Assembly	33	1101607	Screw PHPRM #4-40x1/4"
*	985311	Black Toe Line	34	84043	Arm
*	84041	Clip (toe line)	35	84314	Clamp
*	84042	Adjustment (toe line)	36	1101569	Pop Rivet 1/8" Diam.
*	84095	Head Cable Assembly	37	1101879	Screw FHP #6-32x1/2"
11	84036	Boom Tube - Front Heads	38	80267	Adjustment Grommet
*	84566	Boom Tube with nutserts	39	1115607	Screw RHPR #4-40x3/4"
*	1187795	Button Head Screw 5/16-18x1/2"	40	1187293	#8 Flat Washer
*	84066	Plug	41	1101876	Screw PHPR #6-32x1/2"
*	985271	Seal Strip 1/4x1.0"#8-32x3/8"	42	63453	Male/Female Standoff
12	84038	Pot Housing Top - Front Heads	43	84422	Bushing (Bearing) (All)
13	84039	Pot Housing Bottom - Front Heads	44	84297	Hex Hd. Socket Setscrew #10-24x3/16"
14	84037	Pot Mounting Plate - Cross Toe	*	1101967	Retaining Ring
15	1181298	KEPS Nut #8-32	*	63453	Spacer, Toe PCB
16	1115755	Screw PHPR #8-32x1/2"	*	84547	String Set, Car (SERVICE)
17	1101533	Screw PHPR #8-32x3/8"	*	83661	Backing Plate
18	1101760	KEPS Nut #6-32	*	1103955	#6 Flat Washer
19	1101731	Screw PHMS #6-32x5/8"	*	84631	Bushing Replacement Tool Kit
20	84348	Toe PCB Board Assy. - Front Heads	*	84632	Bushing Service Kit

* NOT SHOWN 5900PRF3.WRK REV. 10/28/90

MEASURING HEADS

- 84052 LF Head Assy
- 84053 RF Head Assy
- 84054 LR Head Assy
- 84055 RR Head Assy



5900 OPTIONAL/MISCELLANEOUS PARTS

Part No	Description
83330	Remote Display Kit
83300	Remote Display Assembly
83314	Housing
83302	Cover
83306	Control Panel
83155	PCB Assembly
83113	Head Cable Assembly
83575	Caution Label
83305	Rubber Button
83352	Spacer #6x7/16" (RF & LR)
83353	Wave Spring Washer
83316	Connector Mounting Plate
83081	Remote Interconnect Cable
83450	Remote Mounting Bracket
84136	Printer Kit (OKIDATA) 115V
84259	Printer Kit (OKIDATA) 230V
84336	Printer (115V)
84337	Printer (230V)
83049	Printer Paper (500 sheets)
84436	Ribbon (OKIDATA)
83323	Ribbon (WESTREX)
83787	Ribbon (SEIKOSHA)
84852	Printer (SEIKOSHA) 115V
84853	Printer (SEIKOSHA) 230V
84407	VCP Door Chain Kit
83468	Truck Wheel Clamps (Pair) w/Wedge Grips
84433	Rear Toe Line Hanger Shipment
84320	Hanger Assembly
84331	Bracket Weldment
84392	Crossbar - Hanger Weldment
6002480	Leaf Spring Clamp
80093	Hook

5900PRF5.WRK REV. 10/28/90

