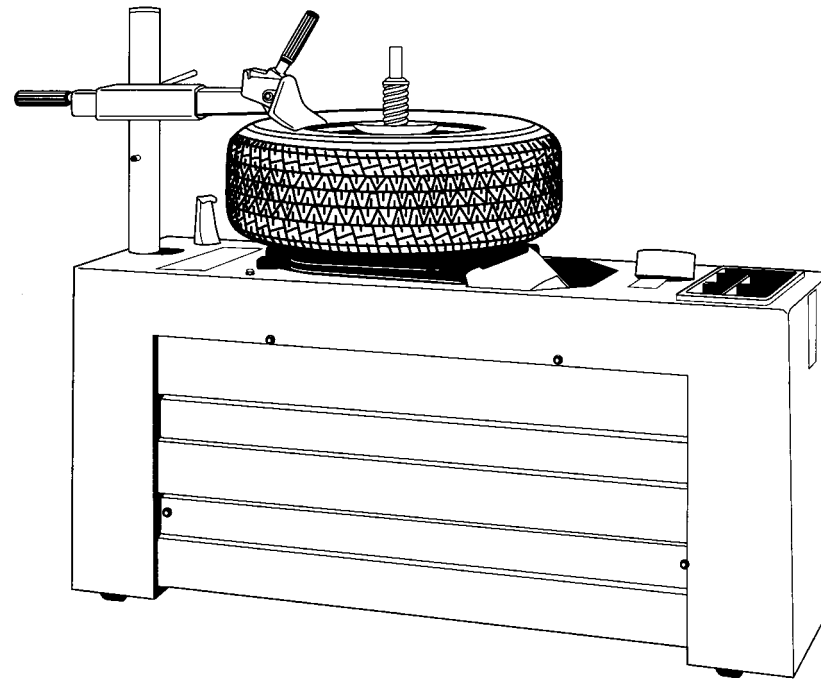


*John*  
**BEAN**  
*Company*

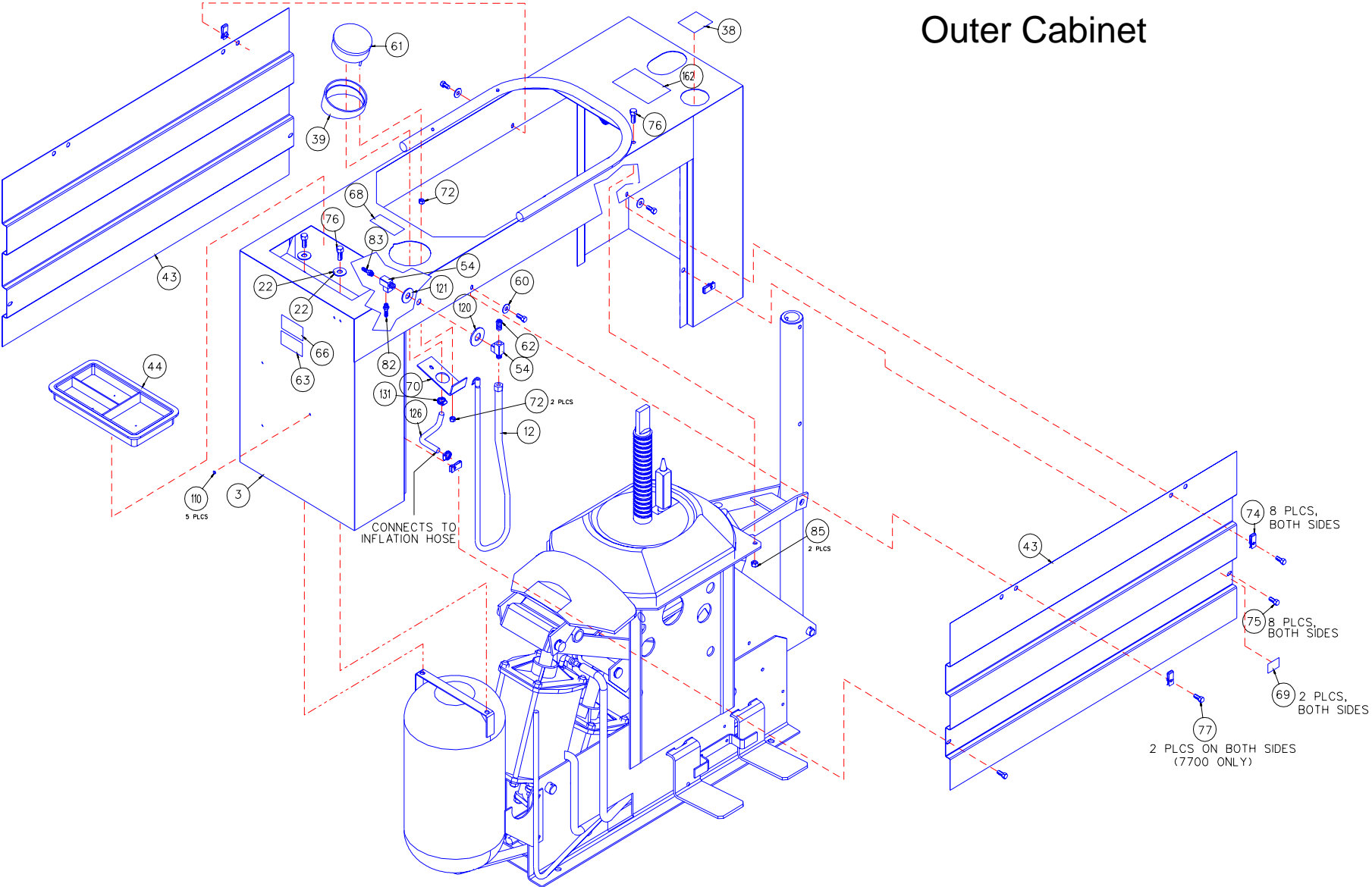


## Model 7600/7700 Tire Changer

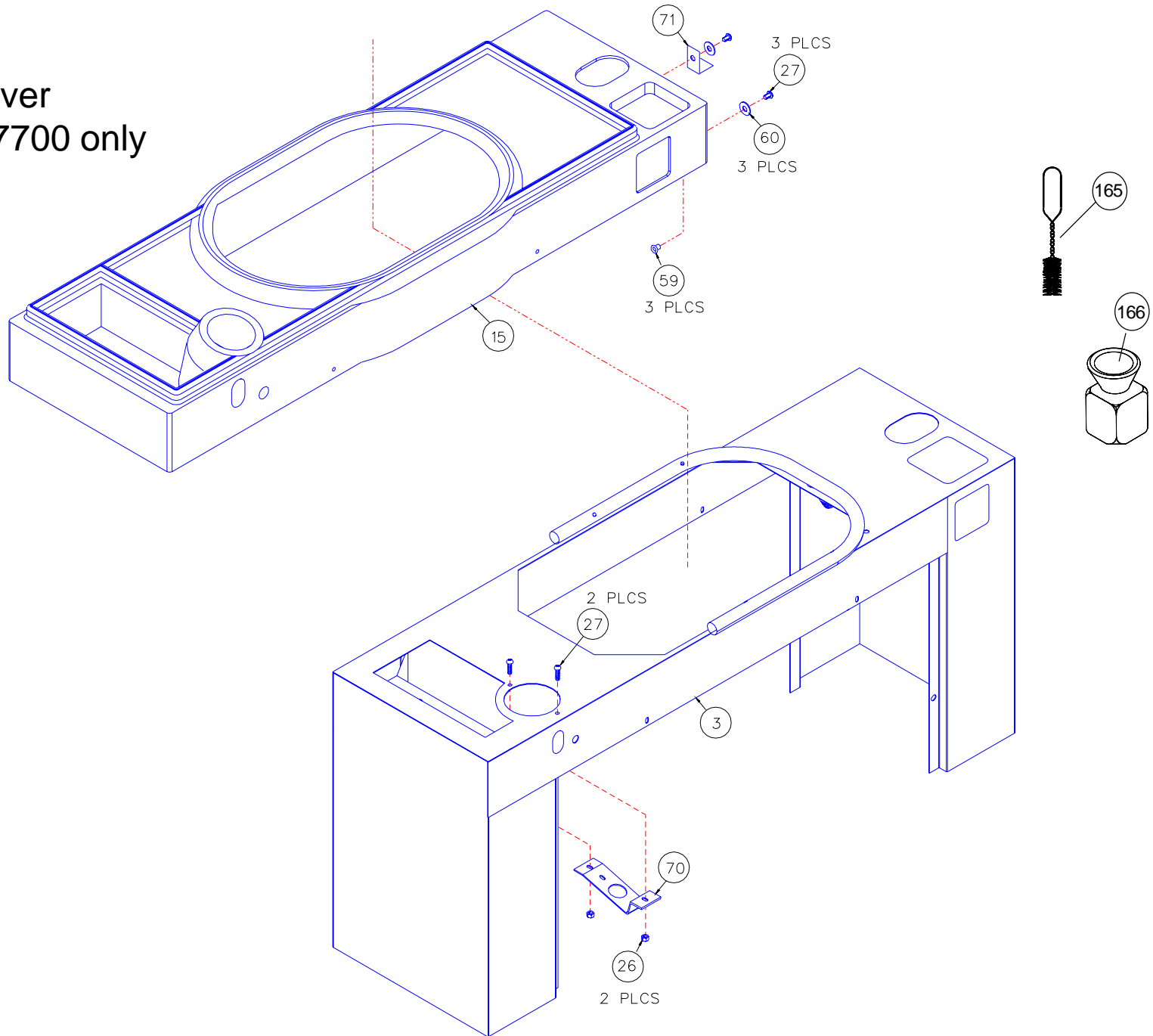
Parts Reference

Form 5677

# Outer Cabinet

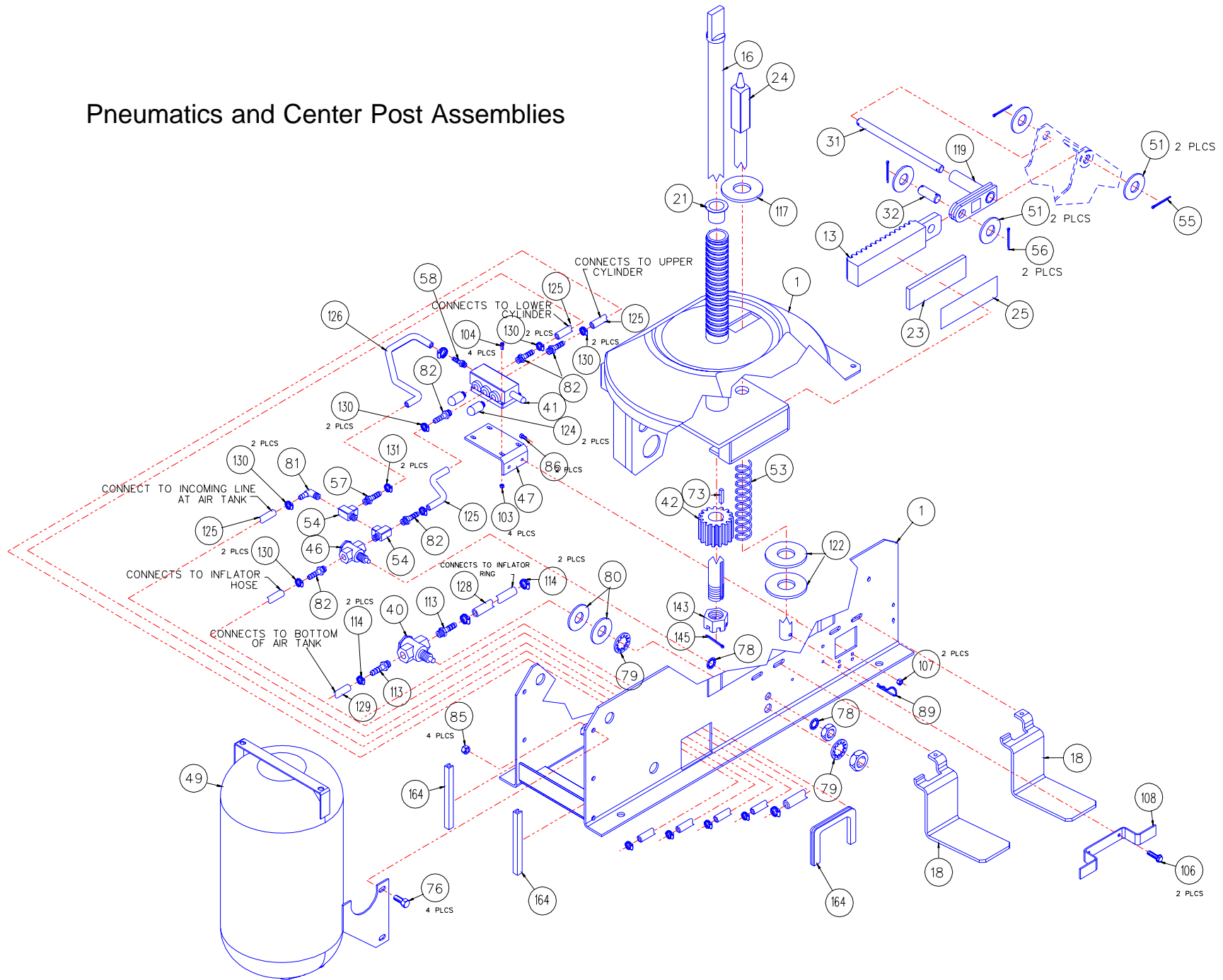


Top Cover  
Model 7700 only





# Pneumatics and Center Post Assemblies



<u>Ref</u>	<u>Qty</u>	<u>Part Number</u>	<u>Description</u>	<u>Ref</u>	<u>Qty</u>	<u>Part Number</u>	<u>Description</u>
1	1	00066587000	Frame Weldment - Main	43	2	00066302000	Panel - Front & Rear
2	1	00066548000	Power Pack Assembly	45	1	00066667000	Cone - Nut, 80 - 55 - 06 Ductile (Brg)
3	1	00067810000	Housing Weldment for the 7700 only	46	1	00066115000	Valve - Quick Opening, 1/4 Npt(b)
	1	00066531000	Housing Weldment for the 7600 only	47	1	00087002000	Bracket - 4 Way Valve
4	1	00066697000	Arm Weldment - Shoe, Lower	49	1	00066714000	Tank Assembly - Surge
5	1	00066285000	Column - Shoe, Upper	50	2	00066162000	Nyliner
6	1	00067575000	Lever Weldment - Main	51	6	01107387000	Washer - Flat, 3/4 1 1/2od x 13/16id
7	1	00066067000	Holder Weldment	52	4	01107386000	Washer - Flat, 5/8
8	4	00067777000	Shaft - Pivot	53	1	00066165000	Spring
9	12	01107389000	Washer - Flat, 1 2od x 1 1/16id	54	4	01101642000	Tee - Street, 1/4npt Ml x 1/4 Fem
10	12	01100352000	Pin - Cotter, 1/8 Cad	55	8	01100352000	Pin - Cotter, 1/8 Cad
12	1	00067715000	Hose Assembly - Inflation	56	2	01100350000	Pin - Cotter, 1/8 x 1 Zn
13	1	00066430000	Rack Weldment	57	3	01122266000	Tee Nut, 10 - 24 x 5/16
14	1	00066442000	Lever Weldment	58	7	01101930000	Washer - Flat, 1/4 Blk Oxide
15	1	00067788000	Abrasion Cover	59	1	00067541000	Fitting - Barb, Strt 1/4 Npt x 3/8
16	1	00067711000	Shaft Assembly - Center, 20 1/4(brg)	60	1	00087129000	Fitting - Strt, 1/4 Hose x 1/8npt
*	1	00066008000	Extension for Center Shaft	61	1	00066170000	Gauge - Air, Usg Spec No. 144551
17	1	00067814000	Shoe Weldment	62	1	00066474000	Valve Assembly - Bleeder
18	2	00066586000	Pedal - Foot	63	1	00087408000	Label - Notice
20	1	00066713000	Bead Breaker Assembly - Upper,	64	1	00066344000	Label - Instruction, Bead Brkr
21	1	00066125000	Nyliner - 1 1/4	66	1	00087406000	Label - Patent,Tc
22	4	01107383000	Washer - Flat, 3/8 13/16od x 13/32id	67	1	00066176000	Label - Lube Column
23	1	00066501000	Pad - Wear	68	1	00066332000	Label - Warning, Tire Changer
24	1	00066459000	Pin - Position	69	2	00087150000	Label - Caution, Cover Removal
*	1	00066009000	Position Pin Extension	70	1	00067807000	Gauge Mounting Bracket for the 7700 only
25	2	00066580000	Shim - Pad, Wear	71	1	00067812000	Bracket - Stop for the 7700 only
26	2	01101479000	Nut - Keps, #10 - 24 Unc - 2b Cd/Zn	72	4	01109845000	Nut - Hex, #10 - 32 Unf - 2b
27	5	01115810000	Screw - Rhms, #10 - 24 x 1/2 Phl Z	73	1	01187577000	Key - Sq, 1/4 x 1/4 x 3/4
29	1	00066511000	Shaft - Cylinder & Main Lever	74	8	01101800000	Nut - 1/4 - 20, Type U
31	2	00067771000	Shaft - Rack & Lever	75	4	01101501000	Screw - Whcs, 1/4 - 20 x 1/2
32	1	00067770000	Shaft - Rack	76	8	01100046000	Screw - Hhc, 3/8 - 16 x 1
33	1	00067774000	Shaft - Lever, Upper Shoe	77	4	01100805000	Screw - Hhcs, 1/4 - 20 x 3/4 Zn
34	1	00067772000	Pin - Pivot, Lever Coil	78	2	01187950000	Washer - Lock Int/Ext, 5/8 Zn
35	2	00066334000	Spacer - Lever, Main Column (Brg)	79	2	01101627000	Washer - Lock Int, 3/4
36	1	00067775000	Shaft - Cylinder, Lower Shoe	80	2	01107387000	Washer - Flat, 3/4 1 1/2od x 13/16id
37	1	00067776000	Shaft - Shoe, Radial	81	1	00067536000	Fitting - Barb, 90deg 1/4 Npt x 3/8
38	1	00066300000	Bumper - Rubber	82	6	00067537000	Fitting - Barb, Strt 1/4 Npt x 3/8
40	1	00066116000	Valve - Quick Opening, 3/4 Npt(b)	83	1	00067555000	Barb Fitting/Orifice Assembly
41	1	00087165000	Valve - 4 Way (Blanket)	85	6	01101478000	Nut - Keps, 3/8 - 16 Unc - 2b Cd/Zn
42	1	00066301000	Gear - Pinion, Machined Comp(brg)	86	2	01111599000	Screw - Hhcs, 1/4 - 20 x 5/8 Zn

<u>Ref</u>	<u>Qty</u>	<u>Part Number</u>	<u>Description</u>
88	2	01118554000	Ring - Snap, 1" Truarc #5100 - 100
89	1	00066403000	Pin - Hitch
91	2	01182512000	Pin - Roll, 3/8 x 1 1/2
92	2	01111599000	Screw - Hhcs, 1/4 - 20 x 5/8 Zn
99	1	01101625000	Pin - Clevis, 3/8 x 2 5/8
100	1	01101626000	Ring - Split, 1.25 Nom Dia
103	6	01101479000	Nut - Keps, #10 - 24 Unc - 2b Cd/Zn
106	2	01101988000	Screw - Self Tap, 1/4 - 20 x 3/4
107	2	01101540000	Nut - Keps, 1/4 - 20 Unf - 2b Cd/Zn
108	1	00066673000	Bracket - Foot Pedal
110	5	00066716000	Plug - Hole, Plastic
111	1	00066883000	Label - Instruction, Lower Shoe
113	2	00066588000	Fitting - Hose Barb, 3/4 Brass
114	4	01101204000	Clamp - Hose, 1/2 - 1 1/4
117	1	00066652000	Pad - Tongue (Blanket)
119	1	00066428000	Bar Weldment - Tie
120	2	01100257000	Washer - Flat, 1/2
121	1	00066337000	Washer - Flat, Rubber
122	2	00066661000	Washer - Flat
124	2	00059659000	Muffler - Exhaust
125	17.9ft	01101914000	Hose - Rubber, 3/8 Dia 250psi
126	1.17ft	01101915000	F4 Hose - Rubber, 1/4 Dia 250psi
128	1	00066719000	Hose - Manifold, Inflation
129	1	00066556000	Hose - Inflator, Manifold 3/4 x 27
130	10	01101923000	Clamp - Hose, 6h For 3/8 Hose
131	4	01101834000	Clamp - Worm Drive, #6
141	4	00061278000	Tie - Cable
143	1	01120056000	Nut - Slotted, 1 1/4 - 7 Unc - 2b PI
145	1	01100348000	Pin - Cotter, 3/16 - 2 1/2
148	1	00087423000	Plackard - Danger, Eng/Spa Gen.
154	1	00066704000	Knob - Threaded (Blanket)
155	1	01103437000	Screw - Set, 1/4 - 20 x 1/4 Hs Cup
156	1	08025720000	Insert - Nylon
162	1	00066726000	Label - Danger, Explosion
164	2.5ft	00066695000	Trim - Flexible, 1/8
165	1	01267267000	Wire Lube Dauber
166	1	00066006000	Bottle - Lube
*	1	00066756000	Bracket, for Lube Bottle
*	2	01101849000	Screw, Self Tap - #12-24 x 3/8" for lube bracket
*	1	00066679000	Combination Tool
*	1	00066181000	Protective Boot, Dismount
*	1	00066182000	Protective Boot, Mounting

## USA

John Bean Company  
309 Exchange Avenue  
Conway, Arkansas 72032  
Tel.: (800) 362 - 8326 or (501) 450 - 1500  
Fax: (501) 450 - 1585

## FRANCE

John Bean Company  
Snap - On Equipment France  
Z.A. Du Vert Galant  
15, rue de la Guivernone  
BP 7175  
95310 Saint Ouen L'Aumone  
Tel: (33) 1 - 3448 - 5878  
Fax: (33) 1 - 3448 - 5879

## IRELAND

Snap - On Equipment Europe Ltd.  
Bay 99  
Industrial Estate,  
Shannon  
Co. Claire, Ireland  
Tel: (353) 6147 - 1300  
Fax: (353) 6147 - 2556

## CANADA

John Bean Company  
6500 Millcreek Drive  
Mississauga, Ontario  
Canada L5N 2W6  
Tel: (905) 814 - 0114  
Fax: (905) 814 - 0110

## GERMANY


John Bean Auto Service Gerate  
Division to Sun Electric Deutschland GmbH  
Gewerbepark Sinn  
D - 35764 Sinn Herborner Str. 7 - 9  
Tel: (49) 2772 - 9404 - 0  
Fax: (49) 2772 - 94042 - 23

## LATIN AMERICA

Rua Apinages  
1268 cj. 605B  
Perdizes - Sao Paulo - S.P.  
Cep: 05017 - 0000  
Brazil  
Tel: (55) 11 - 871 - 0713  
Fax: (55) 11 - 871 - 0713

**Notice:** The information contained in this document is subject to change without notice. **John Bean Company** makes no warranty with regard to this material. **John Bean Company** shall not be liable for errors contained herein or for incidental consequential damages in connection with furnishings, performance, or use of this material.

This document contains proprietary information which is protected by copyright and patents. All rights are reserved. No part of this document may be photocopied, reproduced, or translated without prior written consent of **John Bean Company**.

 is a registered trademark of the John Bean Company and Snap - on Incorporated