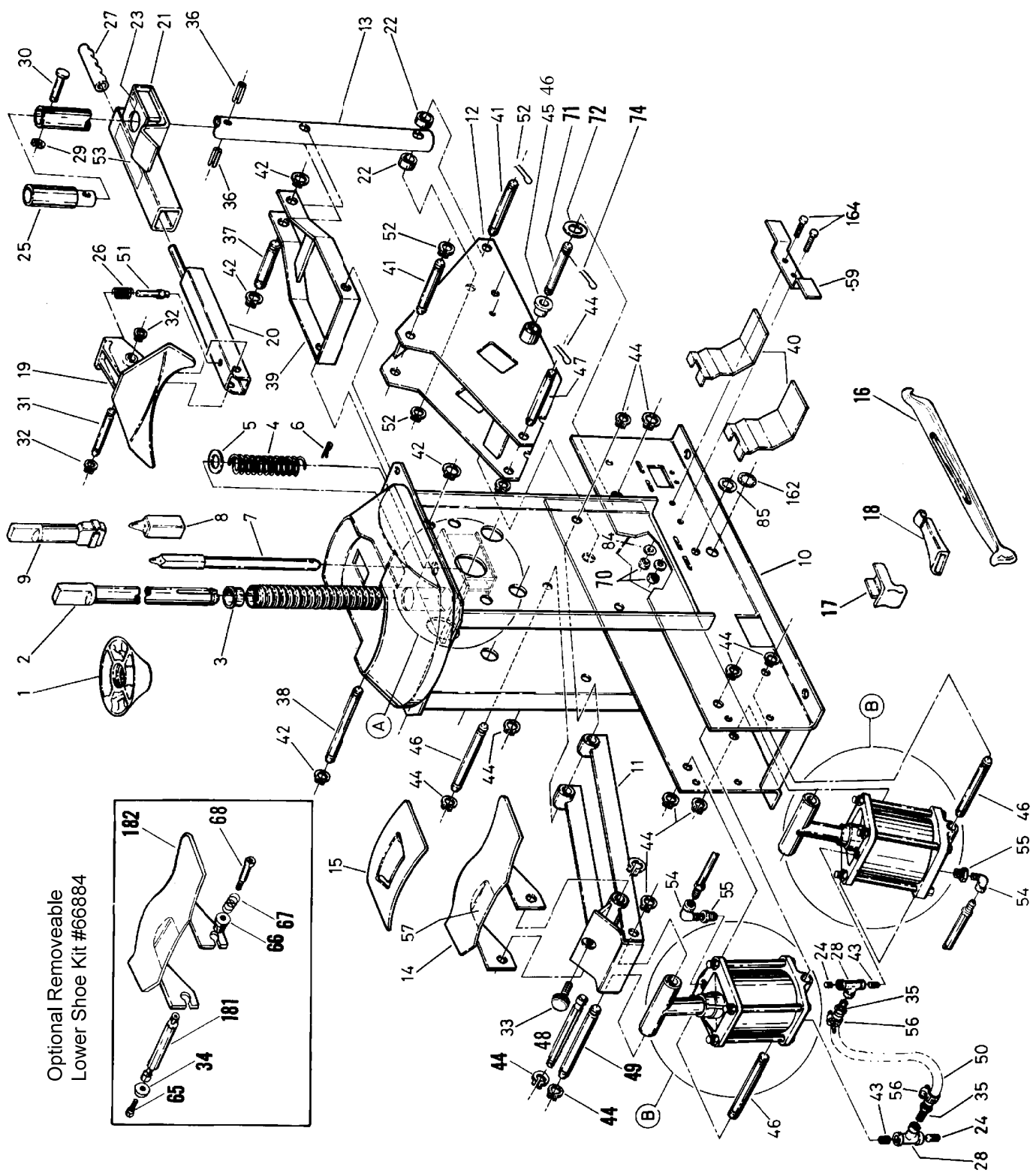


refer to the parts list below
 † L11AM001 (Jan. 94).

Washer #	Cotter Pin
1100387	1100352
1100387	1100352
1107386	1100352
1107385	1100350
1107386	1100352
1107389	1100354
1107389	1100354
1107389	1100354



Optional Removeable
 Lower Shoe Kit #66884

<u>Ref No.</u>	<u>Part Number</u>	<u>Description</u>	<u>Ref No.</u>	<u>Part Number</u>	<u>Description</u>
1	66667	Hold Down Cone	44	1118554	Retaining Ring (older)
2	67711	Center Shaft	*	1100352	Cotter Pin
3	66125	Nyliner	*	1107385	Flat Washer - 1/2x1 1/16x17/32
4	66165	Spring	45	66162	Nyliner
5	66652	Pad	46	67777	Pivot Shaft
6	66403	Hitch Pin	47	66511	Top Cylinder Pivot Shaft
7	66459	Positioning Pin	48	67776	Shaft, Radial Shoe
8	66009	Positioning Pin Extension	49	67775	Lower Shoe Cylinder Pivot Shaft
9	66008	Center Shaft Extension	50	66408	Hydraulic Hose, 5/8"ID x 18"
10	66587	Main Frame Weldment	51	66485	Spring Retainer (Service only)
11	66697	Lower Shoe Arm	52	1113527	3/4" Retaining Ring (older)
12	67575	Main Lever	*	1100352	Cotter Pin
13	66285	Upper Shoe Column	53	66344	Bead Loosening Instruction Label
14	66425	Radial Shoe (non-removable)	54	67536	Brass Barb Fitting, 90 Deg. Elbow
15	66510	Lower Shoe Extension (opt)	55	1101980	Brass Bushing, 1/2" x 1/4"
16	66679	Combination Tool	56	1101660	Hose Clamp
17	66182	Nylon Mounting Boot	57	66883	Lower Shoe Instruction Label
18	66181	Nylon Demount Boot	58	1187577	Key, 1/4" x 1/4" x 1-3/4"
19	67717	Upper Shoe	59	66673	Foot Pedal Bracket
20	67719	Upper Shoe Arm	60	66301	Pinion Gear
*	66453	Handle	61	66430	Rack
*	66506	Grip	62	66501	Wear Pad
*	67720	Upper Shoe Kit, (Service only)	*	66580	Shim, Wear Pad
		Includes:	63	67770	Rack Pivot Shaft
		67717 Shoe	64	66428	Tie Bar
		66453 Handle	65	1100088	Hex Screw, 5/16-18x1/2"
		66506 Grip	66	66701	Locking Sleeve Weldment
21	66067	Upper Shoe Arm Holder	67	66707	Compression Spring
22	66334	Main Column Lever Spacer	68	66708	Shoulder Screw
23	66176	Label "Do Not Lube Column"	69	66356	DU Bearing
24	1105043	1/2NPT Sq Hd Pipe Plug	70	1121507	1/4-20 Hex Nut
25	66122	Upper Shoe Column Ext. (opt.)	71	67777	Pivot Shaft (Main Lever)
26	66330	Spring	72	1107389	Flat Washer 1"
27	66506	Plastic Grip	74	1100352	Cotter Pin 5/32" x 1-1/2"
28	1105046	1/2NPT Tee Fitting	75	1120056	Castle Nut 1-1/4 x 7UNC
29	1101626	Split Ring	85	1187950	5/8" Lockwasher
30	1101625	Clevis Pin 3/8" D x 2-5/8" L	101	66015	Cylinder End Cap
31	67773	Upper Shoe Pivot Shaft	104	66018	Wiper Ring
32	1118804	1/2" Retaining Ring (older)	105	1100026	Hex Hd. Bolt 5/8-18x1-1/2"
*	1100352	Cotter Pin	106	1101621	O-Ring, 6.5 x 7 x 1/4"
*	1107385	Washer	107	66020	Wear Ring
33	66704	Threaded Knob	108	66016	Piston
*	1103437	Setscrew, 1/4-20x1/4"	109	1118730	Retainer Ring
*	8025720	Nylon Insert	110	66019	Bearing
34	66706	Flat Washer	111	66017	U Cup
35	66391	Barb Hose Fitting	112	67578	Piston Rod Weldment
36	1182512	Roll Pin	114	66546	Cylinder Body
37	67772	Lever-to-Column Pivot Rod	115	1101690	O-ring 13/16 x 13/32 x 0.139"
38	67774	Upper Shoe Lever Pivot Shaft	116	1101622	O-ring 7 x 7-1/4 x 0.125
39	66442	Column Lever	118	66521	Lower End Cap
40	66586	Foot Pedal	121	66337	Rubber Washer
41	67771	Rack-to-Lever Pivot Shaft	122	87406	Patent No. Label
42	1118808	5/8" Retaining Ring (older)	123	1100257	Flat Washer 1/2" x 1-3/8" OD
*	1100352	Cotter Pin	124	1267267	Lube Brush
43	1101979	1/2NPT Brass Close Nipple	125	66006	Lube Bottle

