

COATS®

5060 A/E/AX/EX Tire Changer

For servicing single piece automotive and most
light truck tire/wheel assemblies

Order Parts From:
Automotive Equipment Sales and Service
1.800.749.5990
www.autoess.com



Parts Identification

READ these instructions before placing unit in service KEEP these and other materials delivered with the unit in a binder near the machine for ease of reference by supervisors and operators.

HENNESSY INDUSTRIES, INC.

HENNESSY INDUSTRIES INC. Manufacturer of AMMCO®, COATS® and BADA® Automotive Service Equipment and Tools.

Manual Part No.: 8182882 15
Revision: 02/98

Ref	Part #	Description	Ref	Part #	Description	Ref	Part #	Description
1	8181929	Skt. Hd. Cap Scr., 3/8-16 x 1", Gr.8	45	8181872	Sleeve-Torsion Spring	88	8180047	V-Belt, Motor
2	8181704	Table Top Plate	47	8111609	Cotter, Hair Pin	89	8000491	Lube Applicator
3	8182952	Table Top Plate w/o Jets	48	8183398	Pedal Shaft	90	8106259	Lube Bottle (Red)
4	8182024	Ø1/4" Steel Ball	49	8301121	Washer	91	8182876	Lube Bottle (Black)
5	8182025	Inflation Nozzle	50	8181369	1/4-20 Nylon Insert Lock Nut Gr.5	92	8106301	1/4" Hex Hd Self Tap Screw, Gr.5
6	8181677	Rim Clamp	51	8181918	Bar-Valve Brkt. Spacer	93	8182807	Side Panel (Metal)
7	8181907	Carrier/Cover - Cylinder End	52	8181984	1/4 x 1-1/4 Hex Hd Cap Screw, Gr.5	94	8182477	Side Panel (Plastic)
8	8183476	Roll Pin - Ø1/4" x 3/4"	53	8181983	Button Hd Soc Cap Screw 10-24 x 5/8, Gr.8	95	8181949	Clevis Pin-5/8 x 1-3/8
9	8182033	3/4" Jam Nut	54	8182957	Switch-Reversing	96	8183312	B.L. Cylinder Assembly
10	8181904	Table Top Clamp Link Bolt	55	8182682	10-24 Nylon Insert Lock Nut Gr.5	97	8181912	Clip, Clevis
11	8181734	Pivot Link W/C	56	8181959	Cover-Switch	98	8182016	3/4"-10 Gr.5 Nylon Insert Lock Nut
12	8181731	Pivot Plate - Table Top	57	8182682	10-24 Nylon Insert Lock Nut Gr.5	99	8183778	Decal - Lubrication Notice
13	8183452	Flange Whiz-lock Scr., 5/16-18 x 5/8"	58	8181708	Extension Spring, Pedal	100	8180558	Key-Motor
14	8181906	Carrier/Cover - Clamp	59	8183031	Bracket-Valve Mounting	101	8182294	Motor, Electric 115v
15	8101039	Nut - Lock, 1/2", Gr.5	60	8181989	10-24 x 3/8 Socket Head Cap Screw, Gr.8	102	8182621	Motor, Electric 220v, 50Hz, 1Ø
16	8182613	Cylinder Assembly-Table Top	61	8182627	Cap Plug - 1-5/8" Dia.	103	8120325	5/16-18 x 1 Ser. Wash.Hd.Scr., Gr.5
17	8101039	Nut - Lock, 1/2", Gr.5	62	8182358	Spacer-Pedal	104	8120455	10-24 Self Tap Screw, Gr.2
18	8181742	16MM x 40mm Hex Head Bolt Gr.10.9	63	8182332	Guard-Foot Pedal	105	8182040	10MM x 55MM Hex Hd.Cap Scr, Gr.5
19	8182979	Washer - Molded, Ø16mm	64	8106301	1/4" Hex Hd Self Tap Screw, Gr.5	106	8301032	3/8 Flat Washer, Zinc Plate
20	8181990	Spider Assembly	65	8102459	3/8" Self Tap Screw Gr.5	107	8107715	3/8-16 x 1-1/4 Hex Hd. Cap Scr, Gr.8.8
21	8182619	Rotary Coupling Assembly	66	8181948	Bearing-Nylon, 1/2"	108	8182041	Chassis
22	8182162	Nut - Hex, 12MM, Gr.8.8	67	8120469	Hair Pin Cotter	109	8182088	5/16 x 1 Torx Screw, Gr.5
23	8182670	Spring Stop Bracket	69	8107635	5/16" Flat Washer	110	8181855	Center pad-B.L.
24	8181658	Pulley-Transmission	70	8181675	Pedal, Standard	111	8182318	Handle Spring-B.L.
26	8182964	Kit-Transmission	71	8181981	Wave Washer, 5/16" I.D.	112	8301072	#6 Internal Tooth Lk Washer
27	8181984	Hx.Hd.Cp.Scr., 1/4-20 x 1", Gr.5	72	8181696	Lever-Cam Follower	113	8182011	5/8-11 x 5" Hex Hd Cap Scr, Gr.5
28	8183156	Washer - Ø2" X Ø2 3/4" x .010	73	8183399	Clevis Pin 3/16" x 1-1/2"	114	8181953	B.L. Shoe, Handle & Pivot W/C
29	8181699	Lever Assembly - Switch	74	8181948	Bearing-Nylon, 1/2"	115	8182043	5/8-11 Nylon Insert Lock Nut Gr.5
30	8181982	Hx.Hd.Cp.Scr., 3MM x 12mm, Gr.5	75	8181918	Bar-Valve Brkt. Spacer	116	8182013	#10-24 x 1-1/2" Gr.5 Hx. Hd. Cp. Scr.
31	8181728	Lever - Switch Actuator	76	8181851	B.L. Pad, Front	117	8181951	B.L. SHOE Pivot Bracket
32	8000745	Washer - Flat, Ø1/4"	77	8181986	Valve, 4-Way w/Pull Pin	118	8181682	10-24 Nylon Insert Lock Nut Gr.5
33	8181369	Nut - Lock, Nyl. Ins., 1/4-20, Gr.5	78	8106301	1/4" Hex Hd Self Tap Screw, Gr.5	119	8182317	3-Way Miniature Valve
34	8183033	Washer	79	8181695	Cam Mounting Block	120	8182987	B.L. Handle Housing
36	8182363	Spacer - Sw Pedal Lever-Red	80	8181511	Motor Cable Assembly	121	8182016	3/4-10 Gr.5 Nylon Insert Lock Nut
37	8181923	Washer - Stop	81	8180560	Ground Jumper	122	8182579	3/4-10 x 5 Hex Hd. Cap Scr, Gr.5
38	8181948	Bearing-Nylon, 1/2"	82	8143044	Tinnerman Sq, Captive Nut 3/8-16	124	8106301	1/4-20 Hx Hd Self-Tap Scr
39	8181675	Pedal, Standard	83	8106303	3/8" Whiz Lock Nut, Gr.5		8181964	Plastic Accessory Tray
40	8190134	1/4-20 x 3/4 Hex Hd Cap Scr Gr.5	84	8181931	Bracket, Motor Mounting		8181956	Power Cable Assembly
43	8181948	Bearing-Nylon, 1/2"	85	8181183	5/16-18 Nylon Insert Lock Nut, Gr.5		8182257	Power Cable Assembly (CSA)
44	8181707	Torsion Spring	86	8180046	Pulley-Motor		8182712	Power Cable Assembly (220v, 50Hz, 1Ø)
			87	8180217	5/16-18 x 3/8" Soc.Hd.Set Screw, Gr.5		8150128	Cable Connector, 1/2"

Parts Identification

Ref	Part #	Description	Ref	Part #	Description	Ref	Part #	Description
125	8180237	Caution Decal	173	8181915	5MM x 25MM Dowel Pin	*215	8108028	Tire Spreader
127	8109769	Decal - Release Valve	174	8182026	Mount Demount Head Assembly	*216	8181329	Spreader Base-Rim Clamp
128	8104612	3/4" Ext. Tooth Lock Washer	175	8130026	3/8-16 x 1/2 Skt. Hd. Set Scr	*217	8435685	Drop Center Aid
129	8104610	3/4" N.F. Jam Nut Gr.5	176	8130026	3/8-16 x 1/2 Skt. Hd. Set Scr	218	8182883	Operating Instructions (5060)
130	8104611	5/8" N.F. Jam Nut Gr.5	177	8181916	Roller .562 Diameter x .515 LG.	8182883-1		Operating Instructions (UAP)
131	8104613	5/8" Ext. Tooth Lock Washer	178	8182031	Bumper-Rubber	8182883-2		Operating Instructions (ETC-60)
132	8107407	Hitch Pin Retainer	179	8181769	Shaft-Vertical Slide	8182883-3		Operating Instructions (ETC-60 AX/EX)
133	8181933	Pedal Inflation	180	8181740	SHCS 1/2-13 x 1 3/4 Gr.5			
134	8102459	3/8" Self Tap Screw Gr.5	181	8181035	Lift Pin-Lock Plate	*219	8435203	Plastic Clamp Jaw
135	8104673	Bushing (1/4" Valve)	182	8181113	3/4"-13 Gr.5 Jam Nut	220	8182320	B.L. Handle/Valve Assembly
136	8104600	1/4" Valve Comp.	183	8181113	3/4"-13 Gr.5 Jam Nut	221	8182371	Wave Washer, 1-5/8 Dia.
137	8104674	Bushing (3/4" Valve)	184	8181788	Lock Plate	*222	8181554	Accessory Tray Kit
138	8106298	3/4" Valve Ported 1/4"-18 NPT	185	8181095	1-5/8 Snap Ring	223	8182339	Shim Kit-Swing Arm
139	8182167	Lube Bottle Brkt-Red	186	8182312	Swing Arm (Red)	224	8181970	Bead Loosener Caution Decal
140	8182221	Lube Bracket Clamp	187	8181038	Pivot Pin-Swing Arm	225	8182725	Valve & Roll Pin Kit
141	8181354	Bead Lifting Tool	188	8182028	Spring-Vertical Slide	226	8182249	Clamp Carrier w/Jets, Adj. Clamp
142	8181995	Valve, 4-Way w/Pull Pin	189	8181095	1-5/8 Snap Ring	227	8182248	Cyl. End Clamp Carrier (Adj.)
143	8182001	#10-24 x 3/4" Gr.5 Skt Hd St Cp Scr	190	8181082	Lock Handle/Lift Cam W/C	228	8182247	Adjustable Rim Clamp
144	8180103	3/8 x 3-1/4 Clevis Pin	191	8100979	Handle Grip, Black Flex 3/4 I.D.	229	8182250	Adj. Clamp Plunger/Spring Assy.
145	8107983	Plastic Fastener	192	8181771	Knob-Vertical Slide	230	8182279	Adj. Clamp Link Bolt
146	8107517	Gauge Lens, Screw On	193	8182029	5/16-1 x 1-1/2 BH Soc. Cap Scr, Gr.8	231	8182186	Dipstick-Transmission
147	8181114	Knob Assy-Adjusting	194	8183502	Manifold Bleed Valve Assembly	232	8182185	Tube-Dipstick
148	8182364	#10-32 x 1/4 Gr.5 Bt Hd Skt Cp Scr	196	8182458	Platic Cap (Tower)	234		
149	8182319	Ø3/32 x 1-1/4" Roll Pin	197	8182321	Ø2-1/4" "O" Ring	235	8120408	1/4-20 x 1-3/4 H.H. Cap Scr., Gr.5
150	8107985	Flanged Air Gauge w/Fasteners	198	8181172	3/4-10 x 7-1/2 Hex Hd. Cap Scr, Gr.5	236	8143169	1/4-20 Whiz Lock Nut, Gr.5
151	8109888	Inflation Warning Decal	199	8182457	Washer, 3/4"	237	8182768	Pinch Point Caution Decal
153	8182373	Decal, Warning	200	8182016	3/4"-10 Gr.5 Nylon Insert Lock Nut	238	8181587	Circuit Breaker (C.S.A.)
155	8106302	3/8" Whiz Lock Screw, Gr.5	201	8181971	Decal - B.L. Handle	300	8181998	Male Elbow 1/4 NPT x 3/8 Tube
156	8181137	3/8-16 x 2-1/4 Hex Hd. Cap Scr, Gr.5	202	8107715	3/8-16 x 1-1/4 Hex Hd. Cap Scr, Gr.5	301	8182836	Nylon Tube 3/8 OD x 15.50" Lg
157	8106303	3/8" Whiz Lock Nut, Gr.5	203	8000240	Washer 1" OD x 13/32 ID x 3/16	302	8182836	Nylon Tube 3/8 OD x 15.50" Lg
158	8106303	3/8" Whiz Lock Nut, Gr.5	204	8181932	Inflation Brkt.	303	8182836	Nylon Tube 3/8 OD x 15.50" Lg
159	8182305	Tower/Air Receiver	205	8182457	Washer, 3/4"	304	8110497	Male Elbow 1/8 NPT x 1/4 Hose
160	8182076	Shim Kit	206	8183770	Filter/Lube Bracket	305	8103649	Ø1/4 x 12" Hose
161	8120424	3/8"-16 Wash Hd. Lock Nut Gr.5	207	8106301	1/4" Hex Hd Self Tap Screw, Gr.5	306	8182836	Nylon Tube 3/8 OD x 15.50" Lg
162	8182550	Pivot Pin, B.L. Cylinder Rod	208	8182059	Decal, Line Press Gauge	307	8182035	Male St Fit. 1/8 NPT x 1/4 Tube
164	8180230	B.L. Spring	209	8182047	Manual Push Button	308	8181988	Male Brch. Tee 1/4 NPT x 3/8 Tube
165	8182002	B.L. Arm	210	8180638	Motor Capacitor Only	309	8104684	Ø1/4 x 8" Hose
166	8182009	Screw, 3/4-10 x 3 3/4" Hex Hd Cap	*211	8235208	Motorcycle Clamp (Tail)	310	8000378	1/4" Brass St. Fitting
167	8120326	Hitch Pin, Ø 1/2"	*212	8181619	Motorcycle Clamp Kit (Tail)	311	8101428	Hose Clamp-1/4 I.D. Hose
168	8101018	Washer .392 x .687 x .0478	*213	8235740	ATV Clamp (Tail)	312	8000378	1/4" Brass St. Fitting
169	8181285	Decal - Inflation Pedal	*214	8181891	ATV Clamp Kit (Tail)	313	8181988	Male Brch. Tee 1/4 NPT x 3/8 Tube
170	8106302	3/8 x 1 NC Hex Hd Cap Scr, Gr.5			314	8101346	3/4" Hose Clamp	
171	8182027	Washer 7 ga. x .406 ID x 1.28 OD			315	8181349	Rotary Coupling	
172	8181914	1/4-20 x 3/16 Soc.Hd.Set Scr, Gr.5			316	8104844	St Fitting 1/8 NPT x 1/4 Hose	

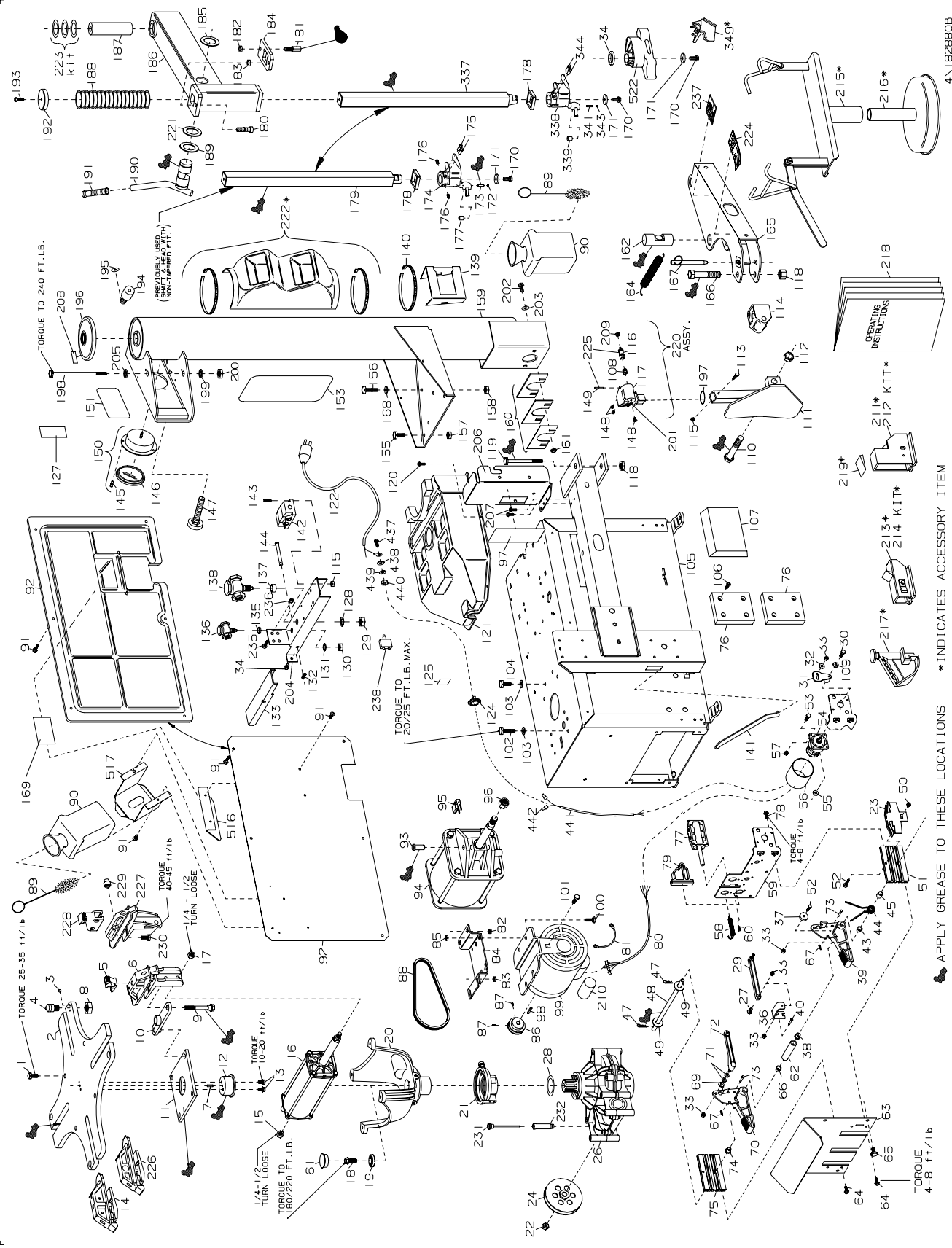
Ref	Part #	Description	Ref	Part #	Description	Ref	Part #	Description
317	8181713	O-Ring Seal, Large (2-244)	359	8181954	Hose 3/4" x 31" Lg.-Black	406	8101428	Hose Clamp-1/4 I.D. Hose
318	8181712	O-Ring Seal, Small (2-142)	360	8104649	Poppet, 1/4" Valve	407	8101898	3/8" Hose Fitting
319	8106289	Ø1/4" x 22" Hose	361	8102468	Poppet Spring, 1/4" Valve	408	8101346	3/4" Hose Clamp
320	8106289	Ø1/4" x 22" Hose	362	8105671	End Cap, 1/4" Valve	409	8104573	Fitting, Straight-3/4"
321	8000378	1/4" Brass St. Fitting	363	8102048	Hose 1/4" x 15"	410	8182090	Hose 3/4" x 61" Lg.
322	8181986	Valve, 4-Way w/Pull Pin	364	8183811	Seal Kit, T.T. Cylinder	411	8101428	Hose Clamp-1/4 I.D. Hose
323	8181988	Male Brch. Tee 1/4 NPT x 3/8 Tube	365	8181183	5/16-18 Nylon Insert Lock Nut Gr.5	413	8111546	Muffler, Microporous
324	8183310	Bottom Cap, B.L. Cylinder	366	8181622	Cap-Cylinder Bottom	416	8000378	1/4" Brass St. Fitting
325	8182079	Seal Kit, B.L. Cylinder	367	8182719	1/2-13 Locking Jam Nut, Gr.5	417	8101428	Hose Clamp-1/4 I.D. Hose
326	8182016	3/4" NC Locknut, Gr.5	368	8183771	Washer 2.50 Ø x .515 Ø x .064	418	8182599	Safety Valve
327	8181860	Washer-Lower, B.L. Cylinder	369	8181629	Shaft-Tabletop Cyl.	419	8109784	Manifold/Gauge Protector
328	8183519	Shaft/Washer Assembly	370	8181627	Sleeve-Cylinder	420	8108968	Air Gauge
329	8181574	Barrel, B.L. Cylinder	371	8181620	Cap-Cylinder Top	421	8182734	Muffler
330	8181862	Tie Bolt, 1/2-13 x 10-1/4" Lg., Gr.5	372	8181633	Tie Bolt-Tabletop Cylinder	422	8182004	Nylon Tube 3/8" x 30" Lg.
331	8183309	Top Cap, B.L. Cylinder	373	8000481	Hose 1/4" x 6"	423	8181988	Male Brch. Tee 1/4 NPT x 3/8 Tube
332	8181998	Male Elbow 1/4 NPT x 3/8 Tube	374	8182008	Hose 3/8" x 50	424	8181986	Valve, 4-Way w/Pull Pin
333	8181999	Male Elbow 1/4 NPT x 3/8 Tube	375	8101428	Hose Clamp-1/4 I.D. Hose	425	8181999	Male Elbow 1/4 NPT x 3/8 Tube
334	8182004	Nylon Tube 3/8" x 30" Lg.	376	8401419	Air Chuck	426	8181206	Muffler-1/2" NPT
335	8182005	Nylon Tube 3/8" x 20" Lg.	377	8105822	Ø9/16" Hose Clamp	427	8181195	1/2" x 3/8" Reducing ELL
336	8182005	Nylon Tube 3/8" x 20" Lg.	378	8182090	Ø1/4" x 61" Hose	428	8000580	Nipple - Close, 1/4 NPT
337	8182812	Vertical Slide Shaft	379	8182020	3/4 NPT x 1/4 NPT St. Fit.	429	8181207	3/8 NPT Close Nipple
338	8182788	Mount/Dismount Head Assembly	380	8101346	3/4" Hose Clamp	430	8181191	Valve, Quick Exhaust
339	8182787	Roller	381	8181993	Hose, 3/4" x 15 1/2"	431	8181999	Male Elbow 1/4 NPT x 3/8 Tube
340	8182005	Ø3/8" x 20" Nylon Tube	382	8181999	1/4 NPT x 3/8 Tube Male St. Fit.	432	8181203	1/2"-1/4" Reducing Bushing
341	8182786	Ø3mm x 20mm Dowel Pin	383	8181987	1/8 NPT x 1/8 Tube Str. Fig.	433	8181190	Airmotor, Gast. 6AM
342	8107924	3/4 Nylon Elbow	386			434	8182005	Nylon Tube 3/8" x 20" Lg.
343	8140667	1/4-20 x 1/4 Gr.8 Skt Hd St Scr	387	8109481	1/4 x 1/8 Brass Bushing	435	8182005	Nylon Tube 3/8" x 20" Lg.
344	8182813	3/8-16 x 3/4" C'boro Cap Scr	388	8181996	1/8 NPT x 1/8 Tube Male St. Fit.	436	8182005	Nylon Tube 3/8" x 20" Lg.
345	8101346	3/4" Hose Clamp	389	8182007	Ø1/8" x 60" Nylon Tube	437	8106301	1/4" H.H. Self Tap Scr., Gr.5
346	8104652	Poppet, 3/4" Valve	390	8182007	Ø1/8" x 60" Nylon Tube	438	8150441	1/4" Star Lock Washer
347	8104651	Spring, 3/4" Valve	391	8142844	1/4-20 Gr.5 Hex Hd. Self-Tap Scr	439	8301142	Washer, 1/4" Spring Lock
348	8106350	End Cap, 3/4" Valve	392	8182044	Hose Clamp	440	8107440	1/4-20 Hex Nut Gr.5
349	8182770	Mount/Dismount Head Bootie	393	8101898	3/8" Hose Fitting	441	8182141	Cord-Entrance to Switch
	8182961	Mount/Dismount Head Bootie	394	8101428	Hose Clamp-1/4 I.D. Hose	442	8143254	Wire Joint
		(Pkg of 2)	395	8181147	Hose 3/8 x 17-1/4" Lg.	443	8182366	1/4 NPT Close Nipple
	8182963	Mount/Dismount Head Bootie	397	8101428	Hose Clamp-1/4 I.D. Hose	444	8181999	1/4 NPTx 3/8 Tube Male St. Fit.
		(Pkg of 12)	398	8101898	3/8" Hose Fitting	445	8182367	1/4 NPT Brass Cross Fit.
350	8000643	1/4" Brass Tee	399	8000372	1/4" x 90° Street Ell	446	8181999	1/4 NPTx 3/8 Tube Male St. Fit.
351	8182071	Fitting, Special Male Branch Tee	400	8182827	Filter-Lubricator	447	8181998	1/4 NPTx 3/8 Tube Male Elbow
352	8000378	1/4" Brass St. Fitting	401	8106300	3/8" Self Tap Scr. Gr.5	448	8182036	3/8" x 12.75 Nylon Tube
353	8101428	Hose Clamp-1/4 I.D. Hose	402	8000372	1/4" x 90° Street Ell	449	8181998	1/4 NPTx 3/8 Tube Male Elbow
355	8181998	Male Elbow 1/4 NPT x 3/8 Tube	403	8101898	3/8" Hose Fitting	450	8182366	1/4 NPT Brass Close Nipple
357	8000378	1/4" Brass St. Fitting	404	8101428	Hose Clamp-1/4 I.D. Hose	451	8181999	1/4 NPTx 3/8 Tube Male St. Fit.
358	8101428	Hose Clamp-1/4 I.D. Hose	405	8182497	Hose 3/8" x 36" Lg.	452	8182367	1/4 NPT Brass Cross Fit.

Parts Identification

<u>Ref</u>	<u>Part #</u>	<u>Description</u>
453	8181999	1/4 NPTx 3/8 Tube Male St. Fit.
454	8181998	1/4 NPTx 3/8 Tube Male Elbow
455	8182036	3/8" x 12.75 Nylon Tube
456	8181998	1/4 NPTx 3/8 Tube Male Elbow
500	8111083	Regulator
501	8101428	Hose Clamp-1/4 I.D. Hose
502	8109472	1/8" Inline Filter
503	8110496	Volumn Chamber
504	8109471	1/8" Brass Hex Nipple
505	8109468	Pressure Repeater
506	8182035	Male St Fit. 1/8 NPT x 1/4 Tube
507	8103649	1/4" Hose x 12" Lg.
508	8109466	Valve-Piloted
511	8182037	Nylon Tube 1/4 OD x 10" Lg.
513	8110325	1/4" NPT Male Run Tee
514	8110497	Fitting-90 Deg. Male Elbow
515	8111255	Spl Tee-1/4 NPT x 3/8 x 1/4 Tube
516	8182811	Inflation Pedal Cover (Red)
517	8182809	Lube Bottle Bracket (Red)
520	8104564	Ring Clamp - Ø3/4 Hose
521	8106301	1/4 H.H. Self-Tap Screw Gr.5
522	8182960	Mount/Demount Head (Plastic)

*Indicates Accessory Item

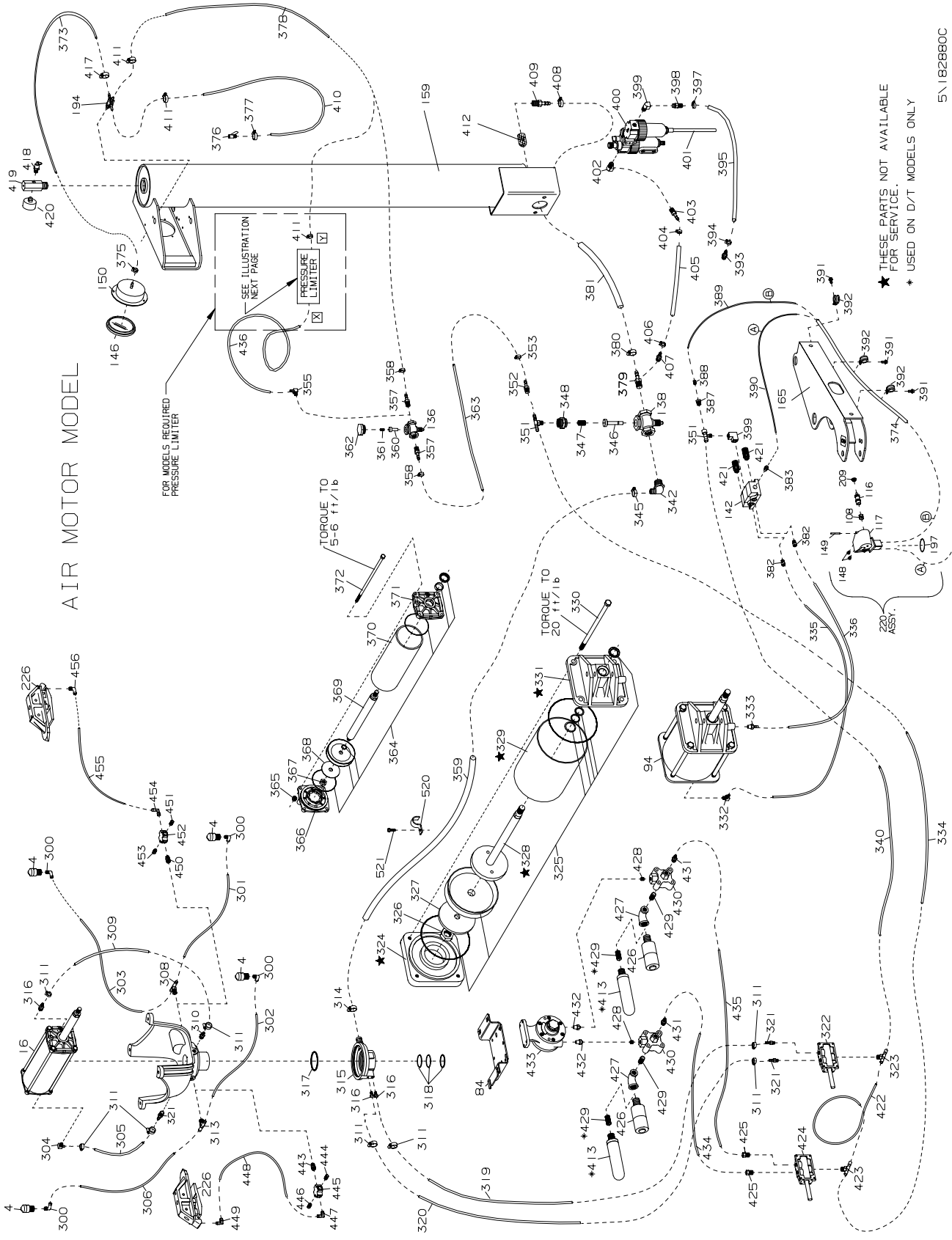
Parts Identification



APPLY GREASE TO THESE LOCATIONS * INDICATES ACCESSORY ITEM

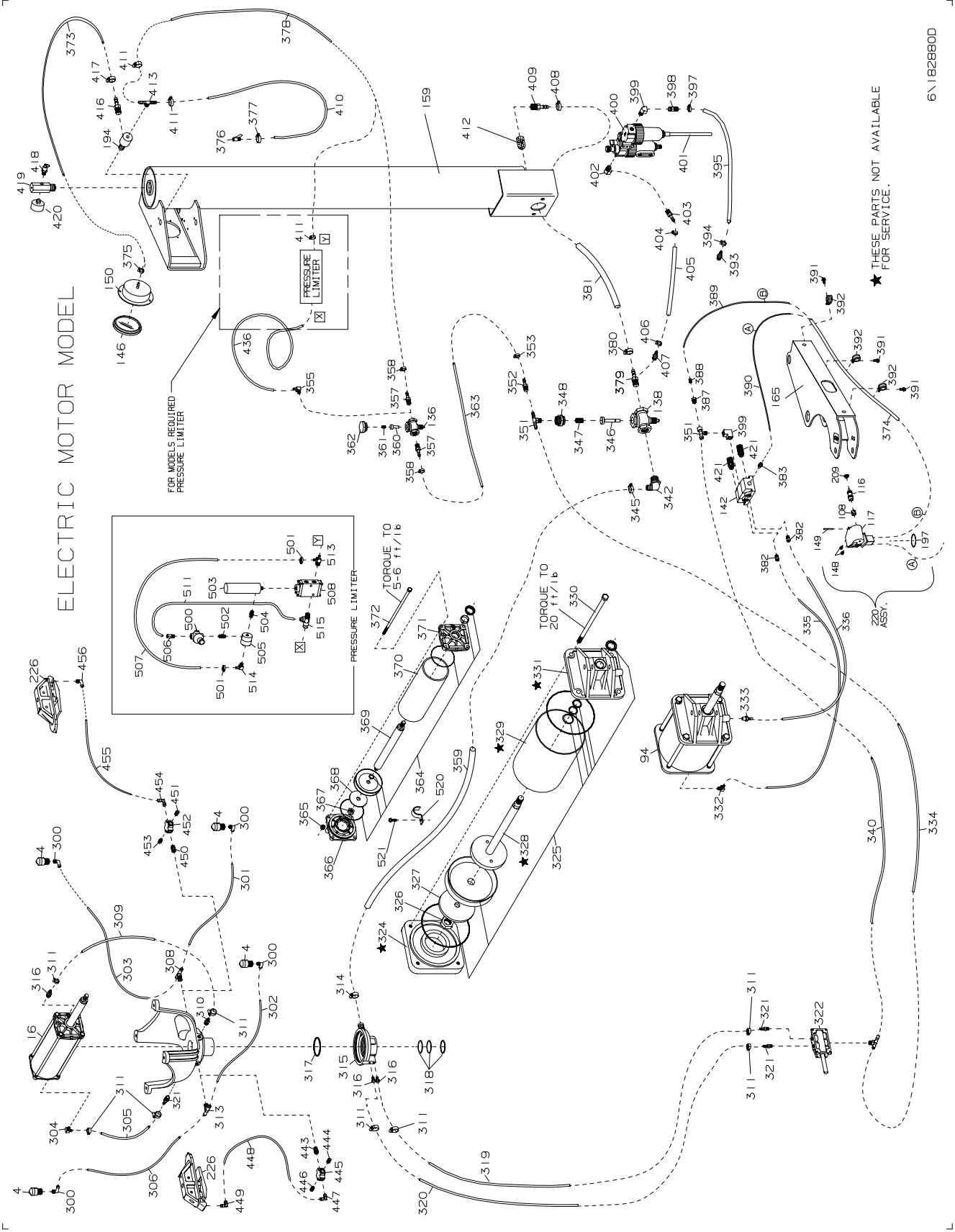
4 \ 1828805

AIR MOTOR MODEL



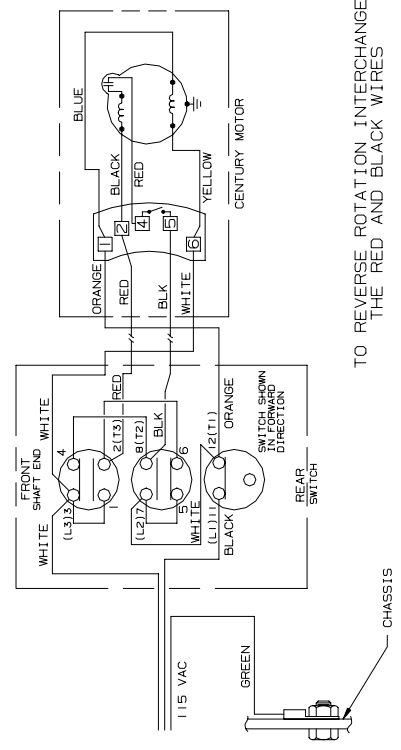
5N182860C

Parts Identification

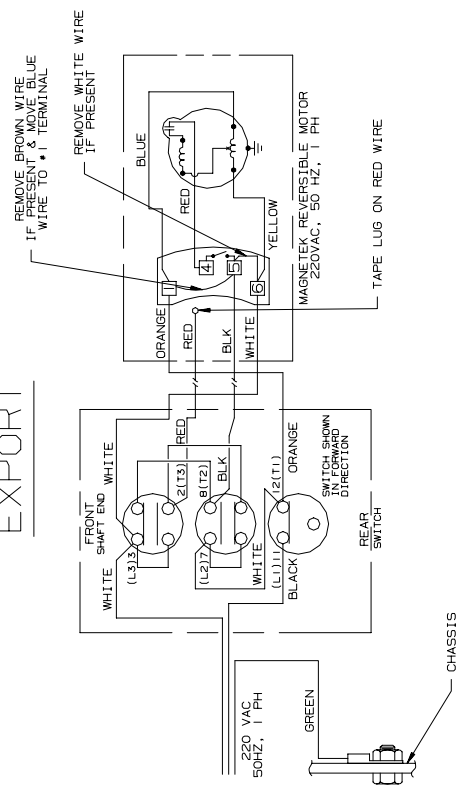


WIRING DIAGRAMS

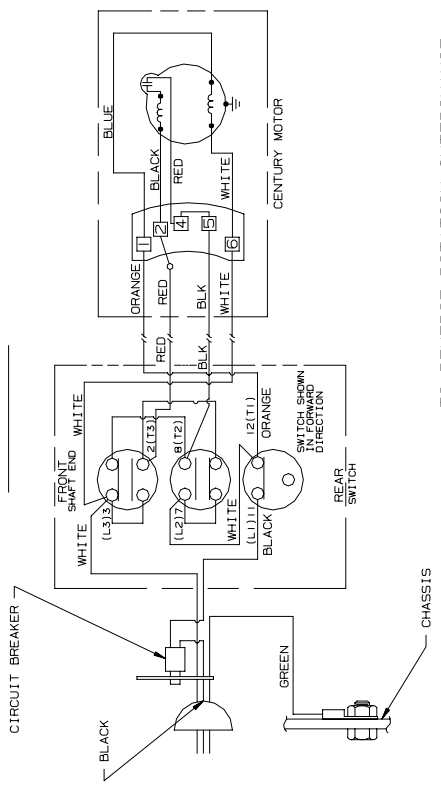
DOMESTIC



EXPORT



C.S.A.



Rim Clamp® Tire Changer

All-Air Unit Compressed Air Requirements

COATS® Rim Clamp® tire changers that are powered entirely by air (no electric motor) require a single compressed air power source. Refer to the table below for exact specifications.

Tire Changer Model	Compressor Size	Capable of
5030A	5HP	5 SCFM at 150 PSI
5050A	5HP	14-15 SCFM at 150 PSI
5060A	5HP	14-15 SCFM at 150 PSI

Oiler and Water Separator Maintenance

The oiler and water separator (on units so equipped) require weekly service. Oil and water levels (indicated on the level gauge on the side of each bowl) should be checked regularly

1. Drain the water from the separator by unscrewing the petcock on the bottom of the bowl. Allow water to drain and tighten petcock securely by hand.

2. Add oil to the oiler if the fluid level is more than 1/4" from the top of the gauge. Remove the filler plug in the top of the oiler, and add SAE 10W non-detergent oil or an air tool oil to bring the level up to 1/4" from the top of the gauge. Replace the filler plug and clean up any spilled oil.

3. Adjust the oil flow by pulling the red flow adjustment ring up and turning it to increase or decrease the flow. Push the ring down to lock. Watch the formation of oil drops in the see-through oil chamber. Continually cycle the bead loosener through full strokes and count the drops during the cycles. The delivery of oil to the air line should be about 1 drop per 10 cylinder cycles. Adjust the flow as required.

Note: Some older units may use an adjustment screw on top of the oiler instead of the red ring and see-through chamber. To adjust these units, turn the screw fully clockwise to stop the flow, then turn it back counterclockwise 1/4 turn.

Transmission Lubrication

Check the fluid level in the tabletop transmission with the oil check dipstick. If fluid shows on the dipstick, it is properly filled. If no fluid is present on the dipstick, add a high quality SAE 80/90 gear lubricant. Add lubricant and check the level. Stop adding lubricant when it shows on the dipstick.

Air Gauge Check and Recalibration

1. Inflate a standard 15" passenger car tire/wheel assembly to 32 PSI. Use a high quality stick-type pressure gauge to verify the pressure. Attach the tire changer's inflation hose to the valve stem and check the pressure reading on the air gauge. If it does not read 32 PSI, recalibrate the gauge.

2. Remove the screw-on lens. Loosen the 2 screws on the face of the gauge. Loosen them just enough so that the gauge face moves. Do not remove the screws.

3. Rotate the gauge face until the 32 PSI mark is aligned with the gauge needle. Tighten the 2 screws and replace the lens.

Danger, Warning, Caution, and Instructional Decals

Always make the cleaning of these important decals a part of your regular maintenance routine. If they are damaged or illegible, replace them immediately. Your safety, and the safety of others is involved!